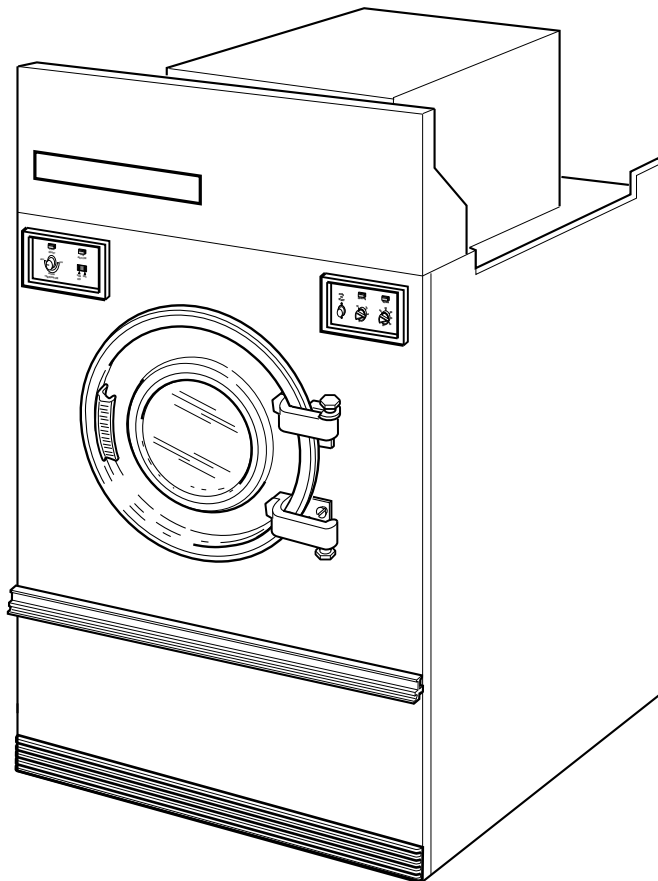


Drying Tumblers

120 Pound Capacity

170 Pound Capacity

Refer to Page 3 for Model Numbers



TMB1273C_70410701

Table of Contents

| Title | Page |
|---|------|
| Parts Ordering Information..... | 2 |
| Serial Plate Location | 2 |
| Model Identification | 3 |
| Dual Timer Controls - MT Control Suffix | 4 |
| Temperature Controls | 6 |
| OPL Micro Control - MM Control Suffix..... | 8 |
| OPL Micro Control - OM Control Suffix | 10 |
| Access and Lint Panels..... | 12 |
| Front Panel | 14 |
| Door Assembly..... | 16 |
| Lint Screen and Drive Guard - 120 Pound Models | 18 |
| Lint Screen and Drive Guard - 170 Pound Models | 20 |
| Drive Sheave, Step Pulley and Belts | 22 |
| Trunnion Bearings..... | 24 |
| Cylinder Drive Motor | 26 |
| Fan Motor and Fan Assembly - 120 Pound 60 Hertz Models | 28 |
| Fan Motor and Fan Assembly - 120 Pound 50 Hertz Models | 30 |
| Fan Motor Assembly - 170 Pound Models..... | 32 |
| Fan Assembly - 170 Pound Models Through 4/8/98..... | 34 |
| Fan Assembly - 170 Pound Models Starting 4/9/98..... | 36 |
| Airflow Switch Assembly | 38 |
| Cylinder and Trunnion Shaft | 40 |
| Gas Burner Unit - 120 Pound Models | 42 |
| Gas Burner Unit - 170 Pound Models | 44 |
| Gas Burner Orifices | 46 |
| Steam Heating Unit..... | 48 |
| Exhaust System Components - 170 Pound Models | 50 |
| Contactator Box Assembly - DT, JT and ST Models..... | 52 |
| Contactator Box - 120 Pound DC, JC and SC Models | 54 |
| Contactator Box Assembly - 170 Pound DC, JC and SC Models | 56 |
| Contactator Box Harnesses | 58 |
| Transformer Harness - DC, JC and SC Models..... | 60 |
| Parts Index..... | 63 |

© Copyright 2018, Alliance Laundry Systems LLC

All rights reserved. No part of the contents of this book may be reproduced or transmitted in any form or by any means without the expressed written consent of the publisher.

Parts Ordering Information

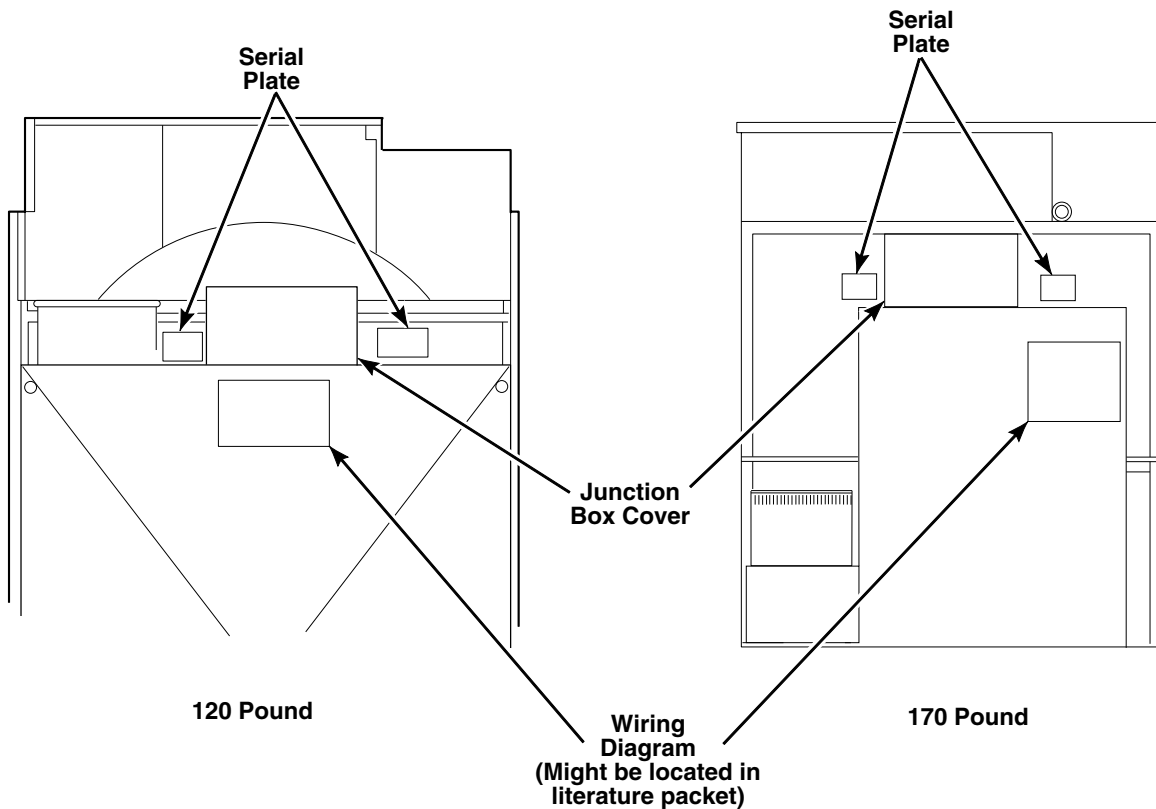
If literature or replacement parts are required, contact the source from whom the machine was purchased or contact Alliance Laundry Systems at (920) 748-3950 for the name and address of the nearest authorized parts distributor.

For technical assistance, call the number listed below:

(920) 748-3121 Ripon, Wisconsin

Serial Plate Location

When calling or writing about your product, be sure to mention model and serial numbers. Model and serial numbers are located on serial plate(s) as shown.



TMB2659P_70410701

Model Identification

Information in this manual is applicable to these tumbler models:

DC120CSH
DC120FG
DC170CSH
DC170FG
DT120CSH
DT120FG
DT170CSH
DT170FG

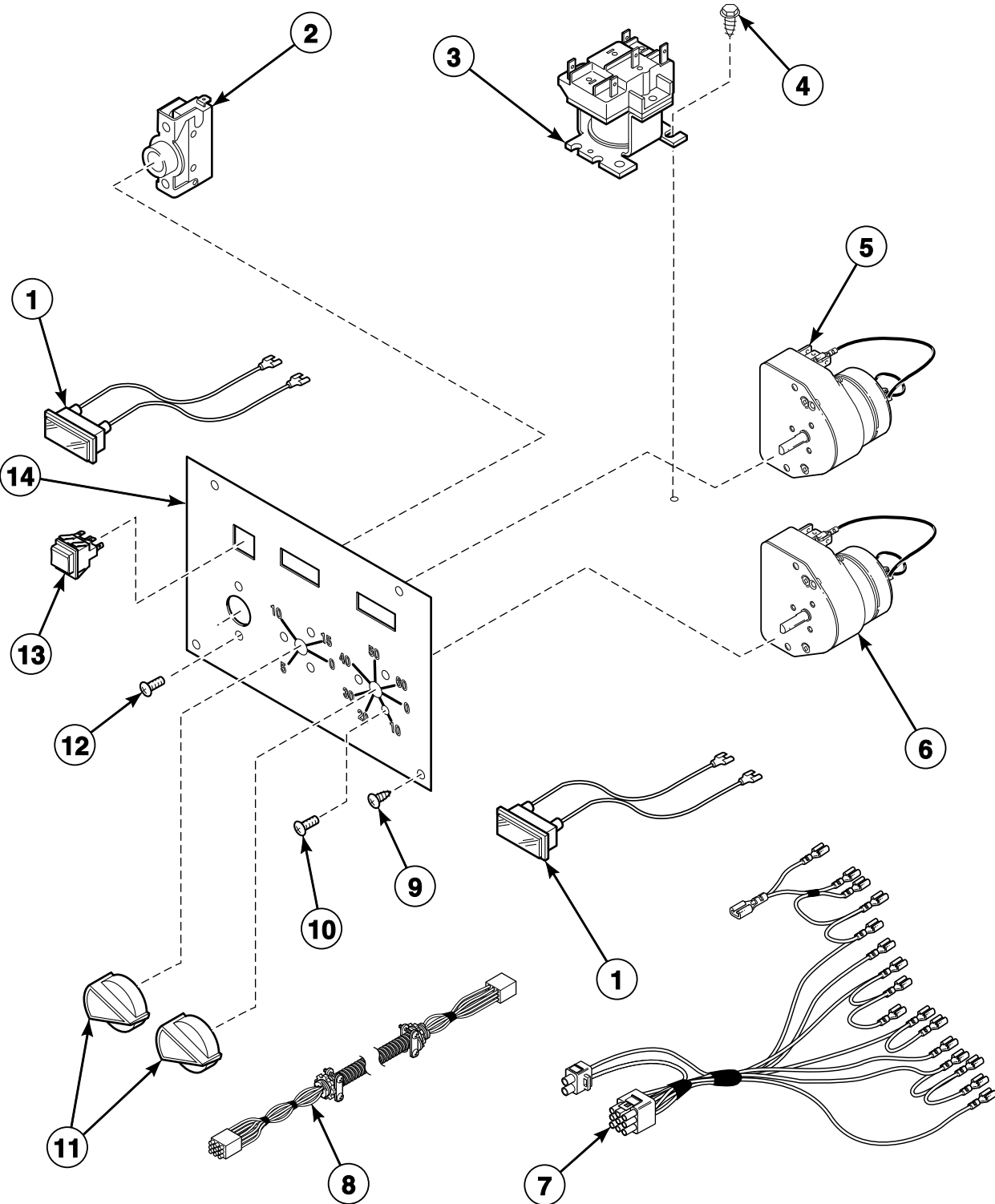
JC120CSH
JC120FG
JC170CSH
JC170FG
JT120CSH
JT120FG
JT170CSH
JT170FG
JTD120CG
JTD120CSH

SC120AT
SC120CSH
SC120FG
SC170CSH
SC170FG
ST120AT
ST120CSH
ST120FG
ST170CSH
ST170FG
STD120CG
STD120CSH

Control Suffixes:

MM – OPL micro
MT – manual timer
OM – OPL micro

Dual Timer Controls - MT Control Suffix



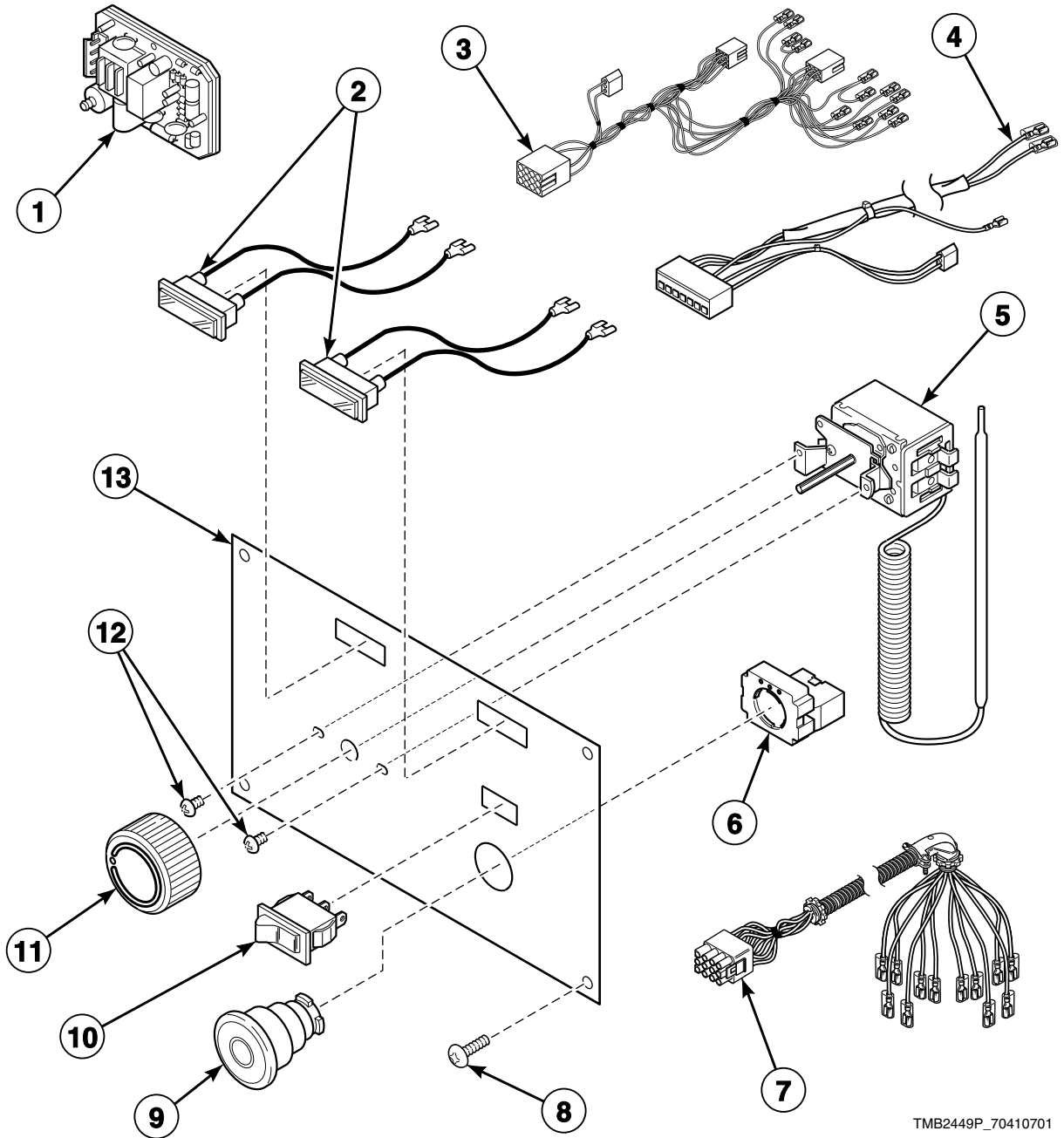
TMB2444P_70410701

Dual Timer Controls - MT Control Suffix

| REF | PART NO. | DESCRIPTION | COMMENTS |
|-----|-----------|------------------------------|--|
| 1 | JST-163-2 | Pilot Light | 60 Hertz; DT, JT and ST models |
| | N/A | Pilot Light | 50 Hertz; DT, JT and ST models |
| | N/A | Indicator Light | DC, JC and SC models |
| 2 | 44106901P | Push-to-Start Switch Kit | DT, JT and ST models |
| | M412230 | Contact Block | DC, JC and SC models |
| 3 | M400912P | Relay | 60 Hertz |
| | M400911P | Relay | 50 Hertz; DT, JT and ST models |
| 4 | 51780 | Screw | |
| 5 | M410900P | Timer Kit | Cooling; 60 Hertz; 15 minute |
| | M410902P | Timer Kit | Cooling; 50 Hertz; 15 minute |
| | M412079P | Timer | Cooling; 15 minute; DC, JC and SC models |
| 6 | M410901P | Timer Kit | Drying; 60 Hertz; 60 minute |
| | M410903P | Timer Kit | Drying; 50 Hertz; 60 minute |
| | N/A | Timer | Drying; 60 minute; DC, JC and SC models |
| 7 | M413055 | Timer Harness Assembly | DT, JT and ST models |
| | M413641 | Timer Harness Assembly | DC, JC and SC models |
| 8 | N/A | Control Box Harness Assembly | DT, JT and ST models |
| 9 | N/A | Screw | |
| 10 | M411052 | Screw | |
| 11 | M400773 | Knob | Timer; DT and ST models |
| | M410927 | Knob | Timer; JT models |
| 12 | M400072 | Screw | |
| 13 | M413431 | Pushbutton Switch | Ignition reset; DC, JC and SC gas models |
| 14 | N/A | Timer Panel | DT models; Black |
| | M411575 | Timer Panel | ST models |
| | N/A | Timer Panel | JT models; Silver |
| | N/A | Timer Panel | JT models; Cocoa |
| | N/A | Timer Panel | SC models |
| | N/A | Timer Panel | JC models |
| | N/A | Timer Panel | DC models |

N/A = Part no longer available

Temperature Controls



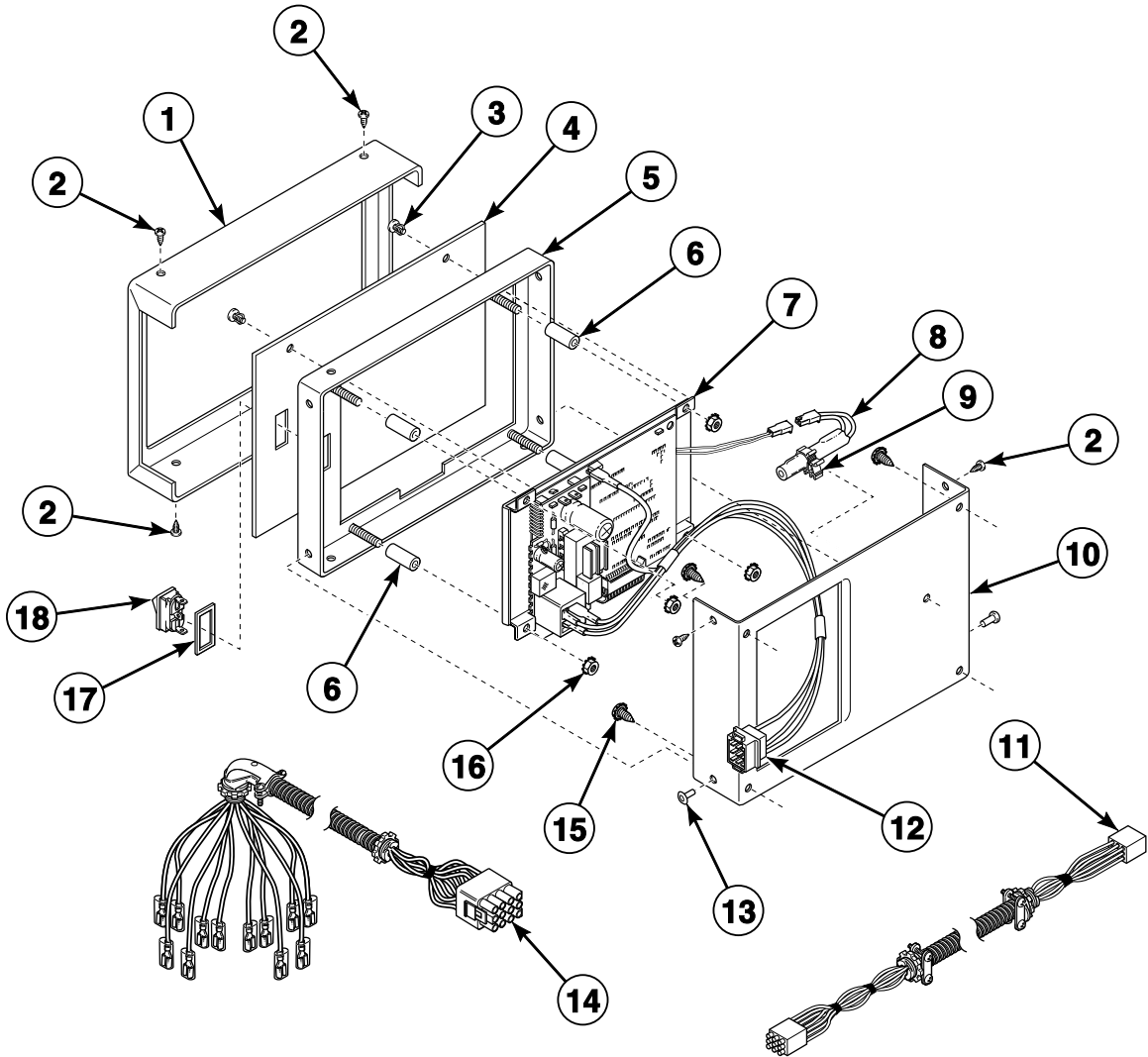
TMB2449P_70410701

Temperature Controls

| REF | PART NO. | DESCRIPTION | COMMENTS |
|-----------|-----------|-------------------------------------|--|
| | 91024P | Fuse Receptacle | DT, JT and ST models |
| | M413118 | Fuse | DT, JT and ST models |
| | M405363 | Terminal Block | |
| | D500823 | Rotary Signal | 60 Hertz |
| | M401391P | Transformer | 50 Hertz; DT, JT and ST gas models with MT control suffix; On 60 Hertz models, transformer is located in contactor box |
| 1 | M406789P | Ignition Control | 120 Volt; DT, JT and ST reversing models with MM and MT control suffixes |
| | 44264801 | Ignition Control Kit | 24 Volt; DT, JT and ST reversing models with OM control suffix |
| | 44264901 | Ignition Control Kit | DC, JC and SC reversing models with MT and OM control suffixes; Australian reversing models with OM control suffix |
| | M410904P | Instant Electronic Ignition Control | Australian models |
| | M4957P3 | Ignition Control Kit | Australian models |
| 2 | JST-163-2 | Pilot Light | 60 Hertz |
| | N/A | Pilot Light | 50 Hertz; DT, JT and ST models |
| | N/A | Indicator Light | 50 Hertz; 120 pound DC, JC and SC models |
| 3 | N/A | Control Harness Assembly | DT, JT and ST models with MT control suffix |
| 4 | N/A | Ignition Control Harness Assembly | DT, JT and ST gas models with MM and MT control suffixes; Used with 70367301P Ignition Control |
| | M413534P | Ignition Control Harness Assembly | DT, JT and ST gas models with OM control suffix; Used with 70367301P Ignition Control |
| 5 | M411333P | Thermostat | |
| 6 | N/A | Contact Block | DC, JC and SC models |
| 7 | N/A | Main Harness Assembly | DT, JT and ST models with MM control suffix |
| 8 | N/A | Screw | |
| 9 | N/A | Emergency Stop Pushbutton | DC, JC and SC models |
| 10 | M413270 | Rocker Switch | |
| 11 | N/A | Temperature Knob | DT and ST models |
| | N/A | Temperature Knob | JT models |
| 12 | M400072 | Screw | |
| 13 | N/A | Thermostat Panel | DT models |
| | M411572 | Thermostat Panel | ST models |
| | N/A | Thermostat Panel | JT models; Silver |
| | M411574 | Thermostat Panel | JT models; Cocoa |
| | N/A | Thermostat Panel | SC models |
| | N/A | Thermostat Panel | JC models |
| | N/A | Thermostat Panel | DC models |

N/A = Part no longer available

OPL Micro Control - MM Control Suffix



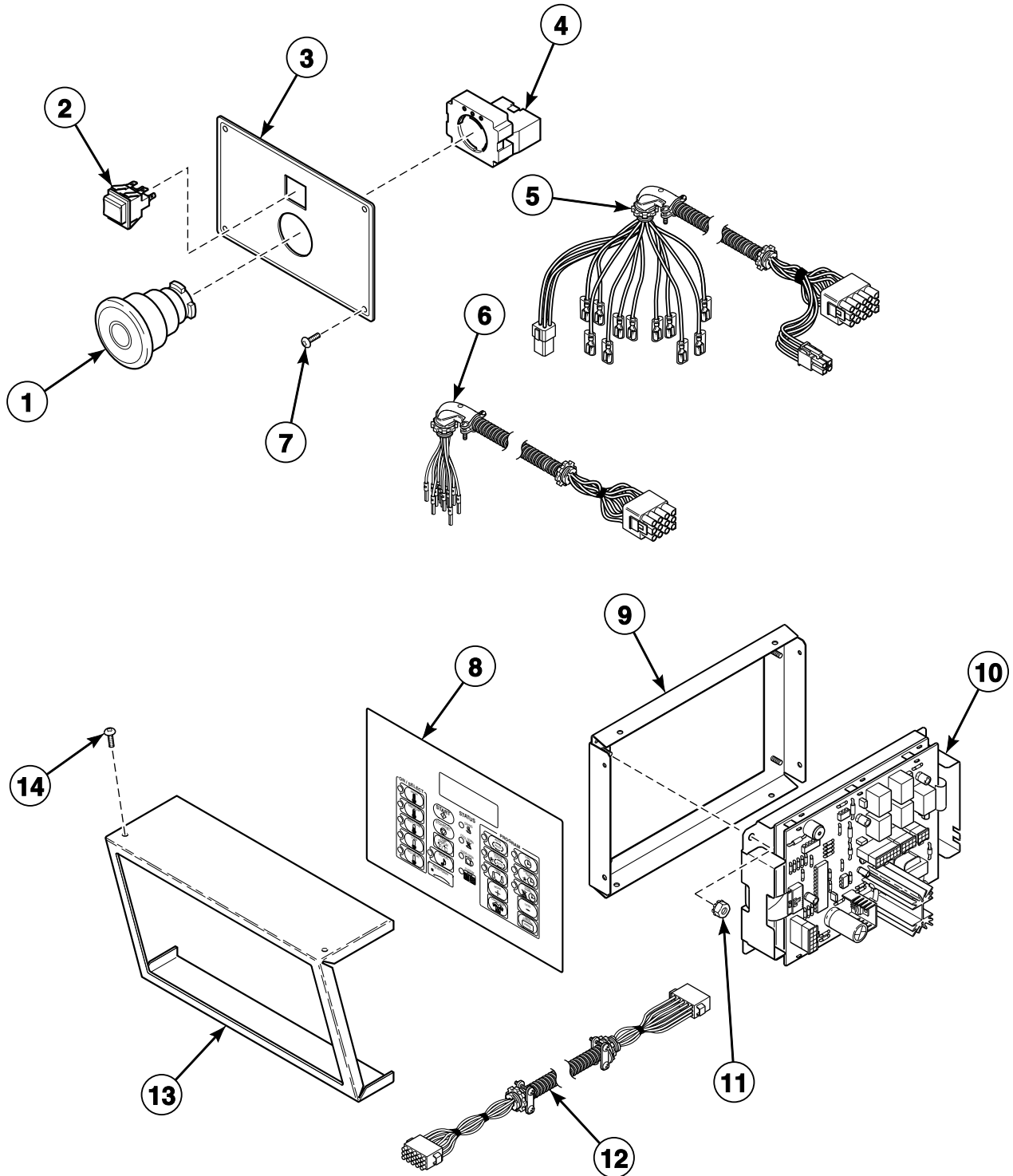
TMB2450P_70410701

OPL Micro Control - MM Control Suffix

| REF | PART NO. | DESCRIPTION | COMMENTS |
|-----|----------|--------------------------------|----------------------|
| 1 | M413089W | Face Plate | |
| 2 | M400664 | Screw | |
| 3 | N/A | Hole Plug | |
| 4 | M412961 | Microprocessor Overlay | DT models |
| | N/A | Microprocessor Overlay | ST models |
| | N/A | Microprocessor Overlay | JT models |
| 5 | M413094 | Micro Mounting Plate | |
| 6 | N/A | Spacer | |
| 7 | N/A | Control and Carton Kit | |
| 8 | N/A | Battery | |
| 9 | N/A | Clamp | |
| 10 | N/A | Mounting Plate | |
| 11 | N/A | Control Box Harness Assembly | DT, JT and ST models |
| 12 | N/A | Micro Control Harness Assembly | |
| 13 | M400713 | Drive Rivet | |
| 14 | N/A | Main Harness Assembly | DT, JT and ST models |
| 15 | N/A | Screw | |
| 16 | 70054 | Nut | |
| 17 | M413236 | Switch Plate | |
| 18 | M413270 | Rocker Switch | |

N/A = Part no longer available

OPL Micro Control - OM Control Suffix



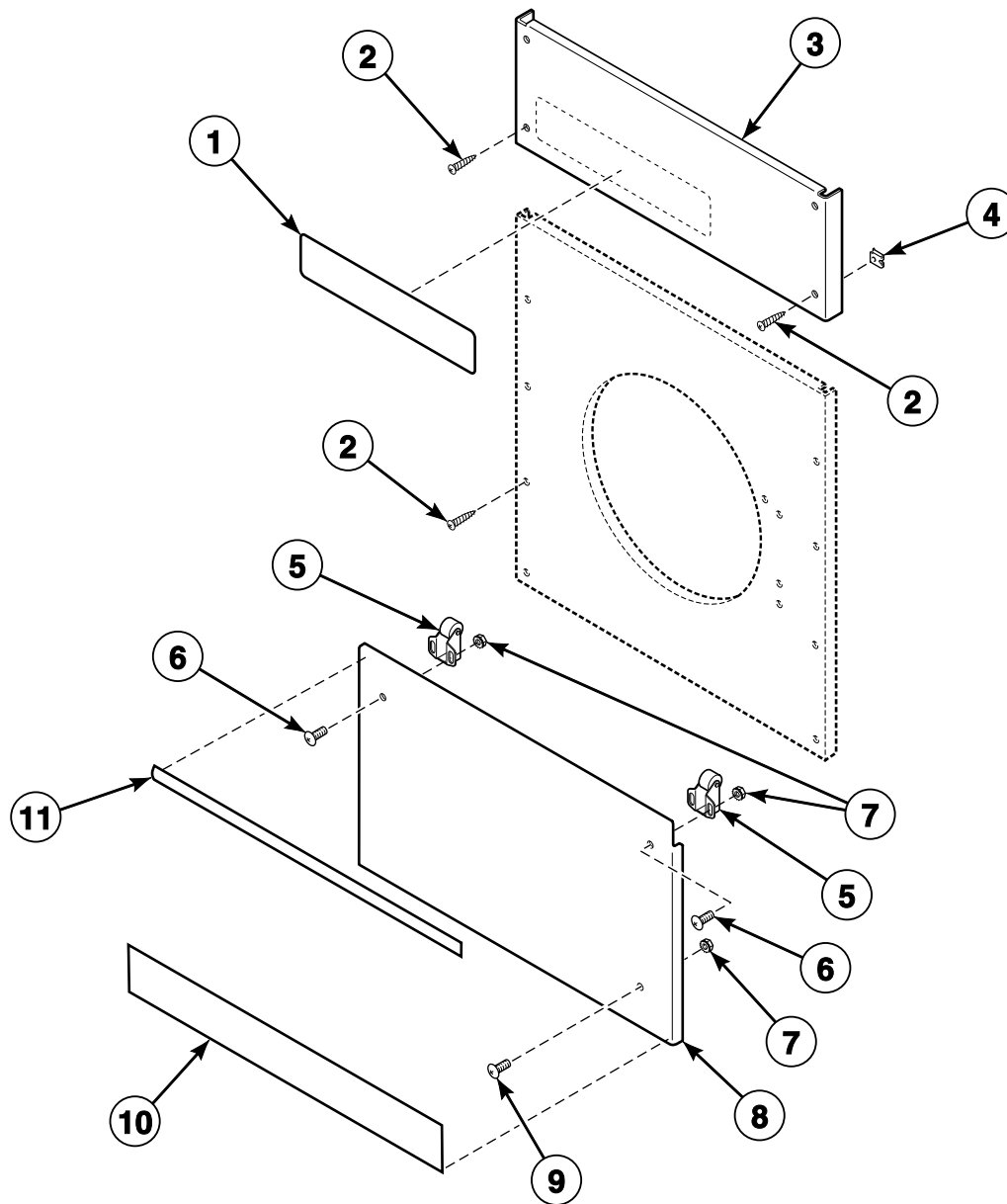
TMB2408P_70410701

OPL Micro Control - OM Control Suffix

| REF | PART NO. | DESCRIPTION | COMMENTS |
|-----|-----------|------------------------------|--|
| 1 | N/A | Pushbutton | Emergency stop; DC, JC and SC models |
| 2 | M413431 | Pushbutton Switch | Ignition reset; DC, JC and SC gas models |
| 3 | N/A | Emergency Stop Panel | DC and SC gas models |
| | M414245R | Emergency Stop Panel | DC and SC steam models |
| | N/A | Emergency Stop Panel | JC models |
| 4 | N/A | Contact Block | DC, JC and SC models |
| 5 | N/A | Main Harness Assembly | DT, JT and ST models |
| 6 | N/A | Main Harness Assembly | DC, JC and SC models |
| 7 | N/A | Screw | |
| 8 | 70128401 | Overlay | SC and ST models; Text |
| | 70130501 | Overlay | SC and ST models; Icon |
| | M413425 | Microprocessor Overlay | DC and DT models; Nonreversing |
| | M413426 | Microprocessor Overlay | DC and DT models; Reversing |
| | 70128601 | Overlay | JC and JT models; Text |
| | 70130701 | Overlay | JC and JT models; Icon |
| 9 | N/A | Micro Mounting Assembly | |
| 10 | 70228401P | Control Kit | |
| 11 | 70054 | Nut | |
| 12 | N/A | Control Box Harness Assembly | 120 pound DT, JT and ST models |
| | N/A | Control Box Harness Assembly | 170 pound models |
| 13 | N/A | Face Plate | |
| 14 | M400664 | Screw | |

N/A = Part no longer available

Access and Lint Panels



TMB1729P_70410701

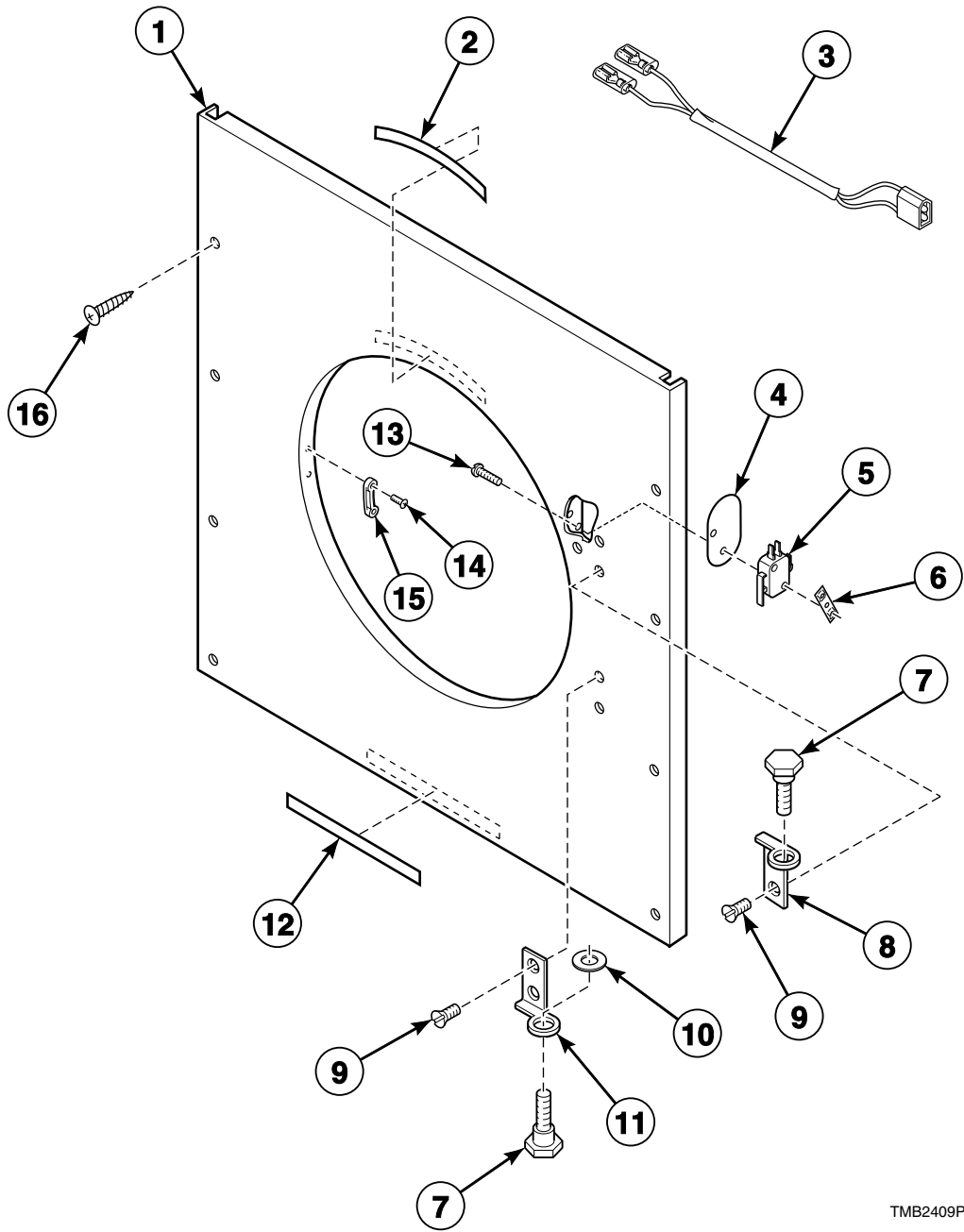
Access and Lint Panels

| REF | PART NO. | DESCRIPTION | COMMENTS |
|-----------|-----------|-------------------------|---|
| | M412980W | Top Access Panel Gusset | Left; Attach to item 3 |
| | M412979W | Top Access Panel Gusset | Right; Attach to item 3 |
| | 44017801 | Lint Panel Clip | Attached to back of lint panel with 2 of item 6 and 2 of item 7 |
| | 430757 | Screw | 6 required; Not included with item 11 |
| 1 | M412963 | Nameplate Overlay | D models |
| | M410355 | Nameplate | S models |
| | 44010401 | Nameplate | J models |
| 2 | N/A | Screw | |
| 3 | M411348LP | Access Panel | Painted ; 120 pound models |
| | N/A | Access Panel | Stainless steel; 120 pound models |
| | N/A | Access Panel | Painted ; 170 pound models |
| | M412951 | Access Panel | Stainless steel; 170 pound models |
| 4 | H8841927H | Nut | U-Clip |
| 5 | H87020202 | Roller Catch | Includes strike |
| 6 | M400044 | Screw | |
| 7 | 23951 | Nut | |
| 8 | M411453*P | Lint Panel | Painted; 120 pound models |
| | M411454P | Lint Panel | Stainless steel; 120 pound models |
| | M411455*P | Lint Panel | Painted ; 170 pound models |
| | M411456 | Lint Panel | Stainless steel; 170 pound models |
| 9 | M414504 | Screw | |
| 10 | N/A | Kickplate Kit | |
| 11 | N/A | Lint Panel Bumper | Black; 120 pound models |
| | N/A | Lint Panel Bumper | Cocoa; 120 pound models |
| | N/A | Lint Panel Bumper | Black; 170 pound models |
| | N/A | Lint Panel Bumper | Cocoa; 170 pound models |

* Add Letter To Designate Color. L - Almond W - White

N/A = Part no longer available

Front Panel



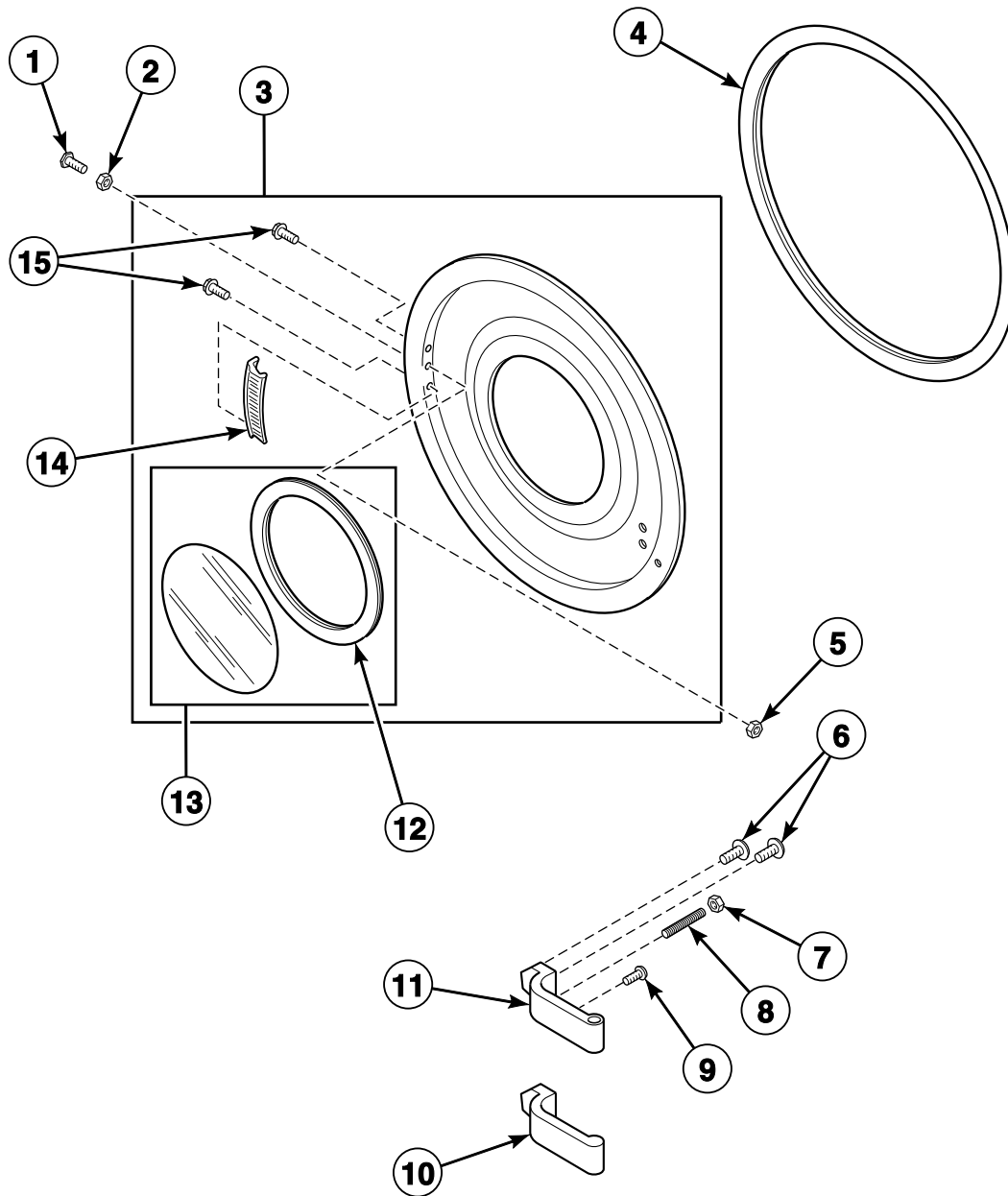
TMB2409P_70410701

Front Panel

| REF | PART NO. | DESCRIPTION | COMMENTS |
|-----|-----------|------------------------------|---|
| | M412551 | Flexible Coupler | DC, JC and SC models |
| 1 | M411383WP | Front Panel | Painted; 120 pound DT, JT and ST models with MT control suffix |
| | N/A | Front Panel | Stainless steel; 120 pound DT, JT and ST models with MT control suffix |
| | N/A | Front Panel | Painted; 120 pound DC, JC and SC models |
| | M413075 | Front Panel | Stainless steel; 120 pound DC, JC and SC models |
| | N/A | Front Panel | Painted; 120 pound DT, JT and ST models with MM and OM control suffixes |
| | M413274 | Front Panel | Stainless steel; 120 pound DT, JT and ST models with MM and OM control suffixes |
| | M412948WP | Front Panel | Painted; 170 pound DT, JT and ST models with MT control suffix |
| | M412949 | Front Panel | Stainless steel; 170 pound DT, JT and ST models with MT control suffix |
| | M413178W | Front Panel | Painted; 170 pound DT, JT and ST models with MM and OM control suffixes |
| | M413276 | Front Panel | Stainless steel; 170 pound DT, JT and ST models with MM and OM control suffixes |
| | N/A | Front Panel | Painted; 170 pound DC, JC and SC models |
| | M414257 | Front Panel | Stainless steel; 170 pound DC, JC and SC models |
| | 2 | M410892 | Warning Label |
| 3 | M413054 | Door Switch Harness Assembly | DT, JT and ST models |
| 4 | H96418728 | Mounting Insulation | |
| 5 | H96422241 | Door Switch | DT, JT and ST models |
| | M4842P3 | Door Safety Switch Kit | DC, JC and SC models |
| 6 | M400979 | Nut | |
| 7 | M410029 | Hinge Pin | |
| 8 | M410041P | Panel Hinge Kit | Upper |
| 9 | H88129648 | Screw | |
| 10 | M400671 | Washer | |
| 11 | M410042P | Panel Hinge Kit | Lower |
| 12 | N/A | Lint Compartment Label | DT and ST models |
| | 430527 | Lint Compartment Label | JT models |
| 13 | H88110267 | Screw | DT, JT and ST models |
| | M412531 | Screw | DC, JC and SC models |
| 14 | M400072 | Screw | |
| 15 | M401223 | Door Latch | |
| 16 | N/A | Screw | |

N/A = Part no longer available

Door Assembly



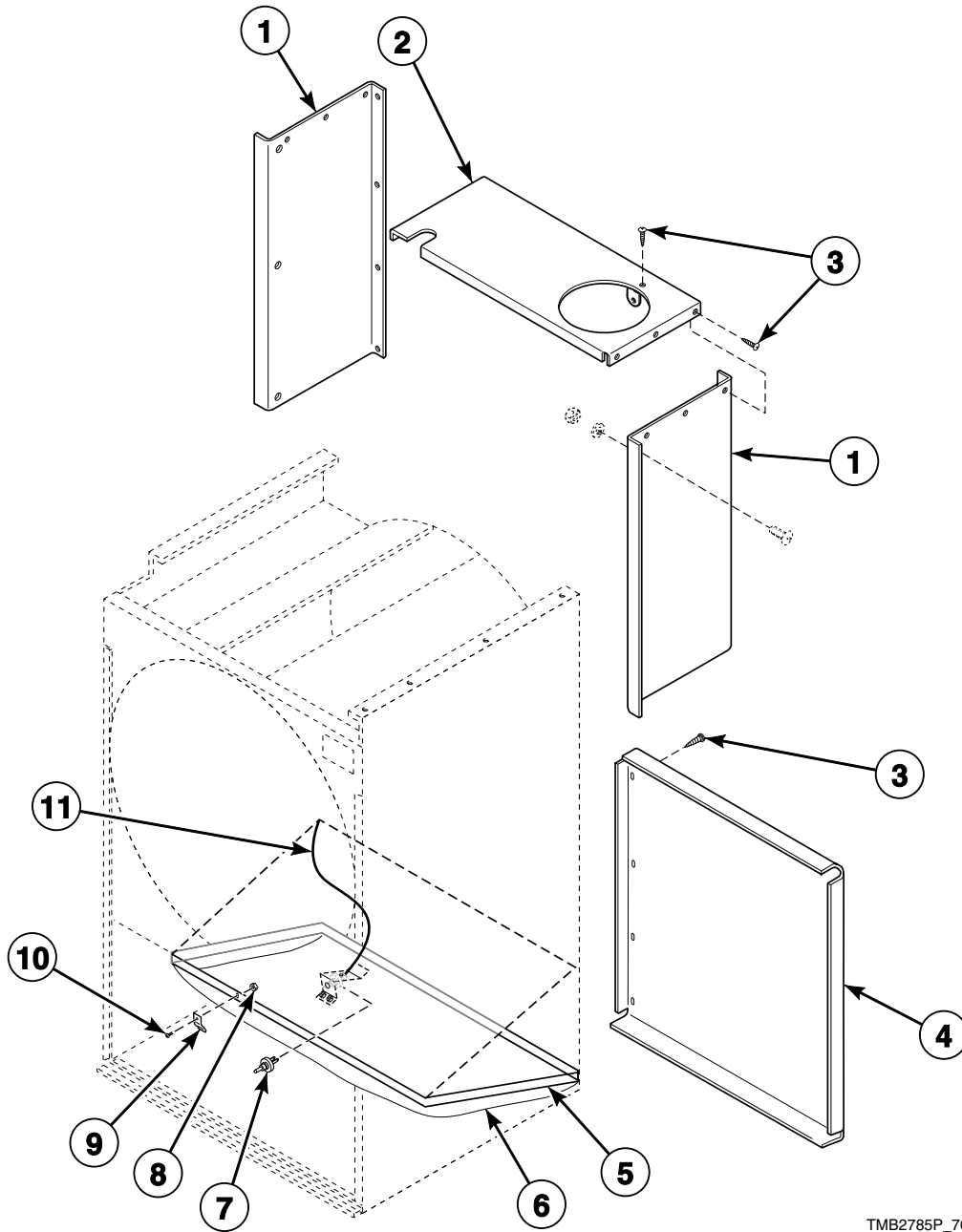
TMB2062P_70410701

Door Assembly

| REF | PART NO. | DESCRIPTION | COMMENTS |
|-----|------------|-------------------------|-------------------------|
| 1 | M400661 | Screw | |
| 2 | Q6163 | Nut | |
| 3 | M410289WP | Loading Door Assembly | Painted |
| | N/A | Loading Door Assembly | Stainless steel |
| 4 | H96409156P | Loading Door Gasket | |
| 5 | 70054 | Nut | |
| 6 | H88129648 | Screw | |
| 7 | 51236 | Nut | |
| 8 | N/A | Screw | Actuator |
| 9 | M400044 | Screw | |
| 10 | M410031 | Lower Door Hinge | Silver; JT models |
| | M410702P | Lower Door Hinge | Black; DT and ST models |
| 11 | M410030 | Upper Door Hinge | Silver; JT models |
| | M410701P | Upper Door Hinge | Black; DT and ST models |
| 12 | 70211904P | Door Seal Kit | |
| 13 | M409899P | Door Glass and Seal Kit | Includes item 12 |
| 14 | M400133 | Door Handle | |
| 15 | M409385 | Screw | |

N/A = Part no longer available

Lint Screen and Drive Guard - 120 Pound Models

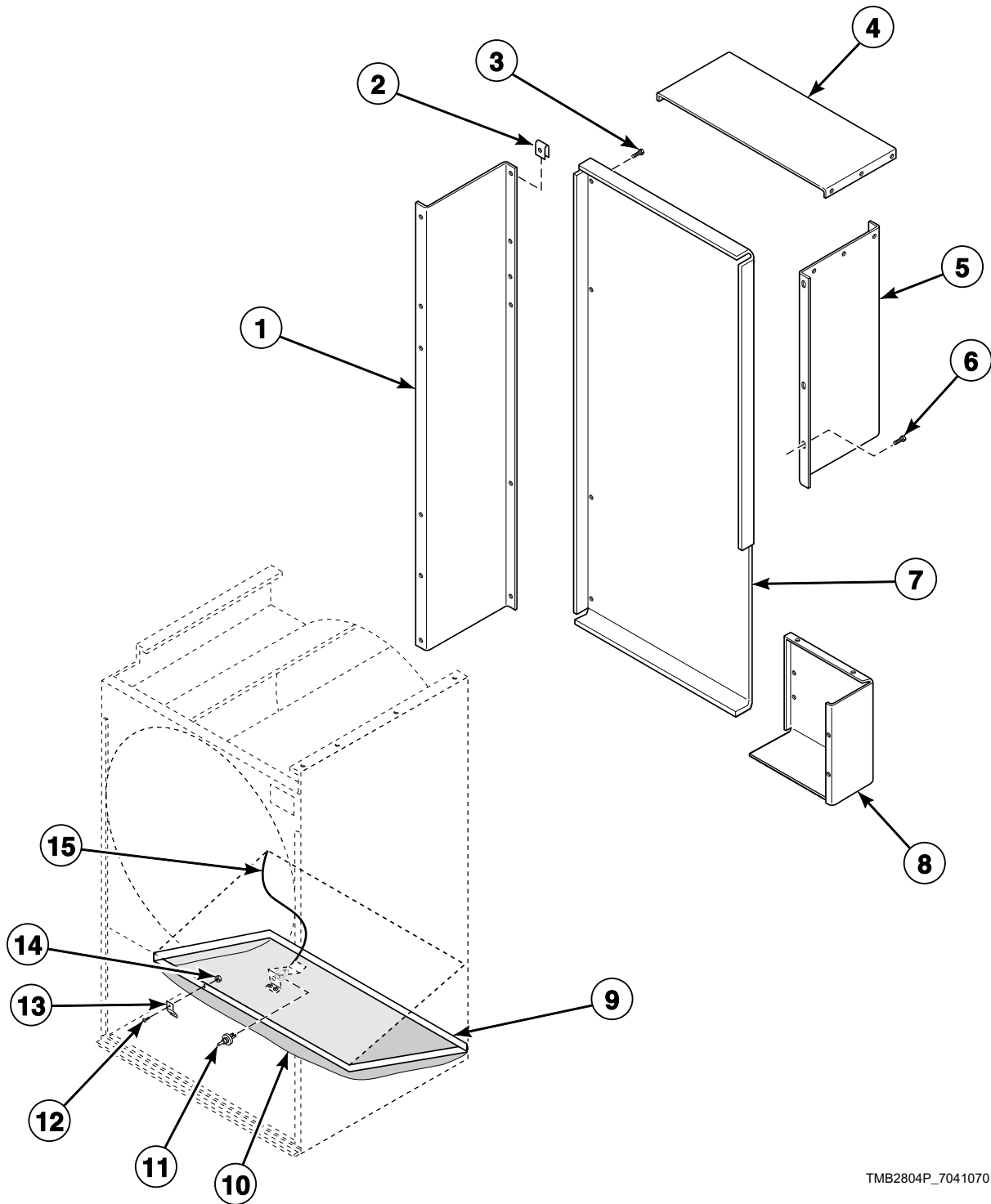


TMB2785P_70410701

Lint Screen and Drive Guard - 120 Pound Models

| REF | PART NO. | DESCRIPTION | COMMENTS |
|-----|-----------|-------------------------|--------------------------------|
| | H87020202 | Roller Catch | 2 required; For lint screen |
| | M411223P | Belt Guard | Bottom |
| 1 | M414491P | Belt Guard | Side |
| 2 | M411222 | Belt Guard | Top |
| 3 | M400664 | Screw | |
| 4 | M414492P | Belt Guard | Cover |
| 5 | M409652 | Lint Screen Frame | |
| 6 | 44063602 | Lint Screen | Includes frame |
| | 44077702P | Lint Screen | With snaps; Frame not included |
| 7 | M414704 | Thermistor | OM control suffix |
| | M413212P | Thermistor Assembly | MM control suffix |
| 8 | 23951 | Nut | |
| 9 | H96418413 | Lint Screen Clip | |
| 10 | M400044 | Screw | |
| 11 | 44342603 | Sensor Cable Assembly | OM control suffix |
| | M413343 | Sensor Harness Assembly | MM control suffix |

Lint Screen and Drive Guard - 170 Pound Models



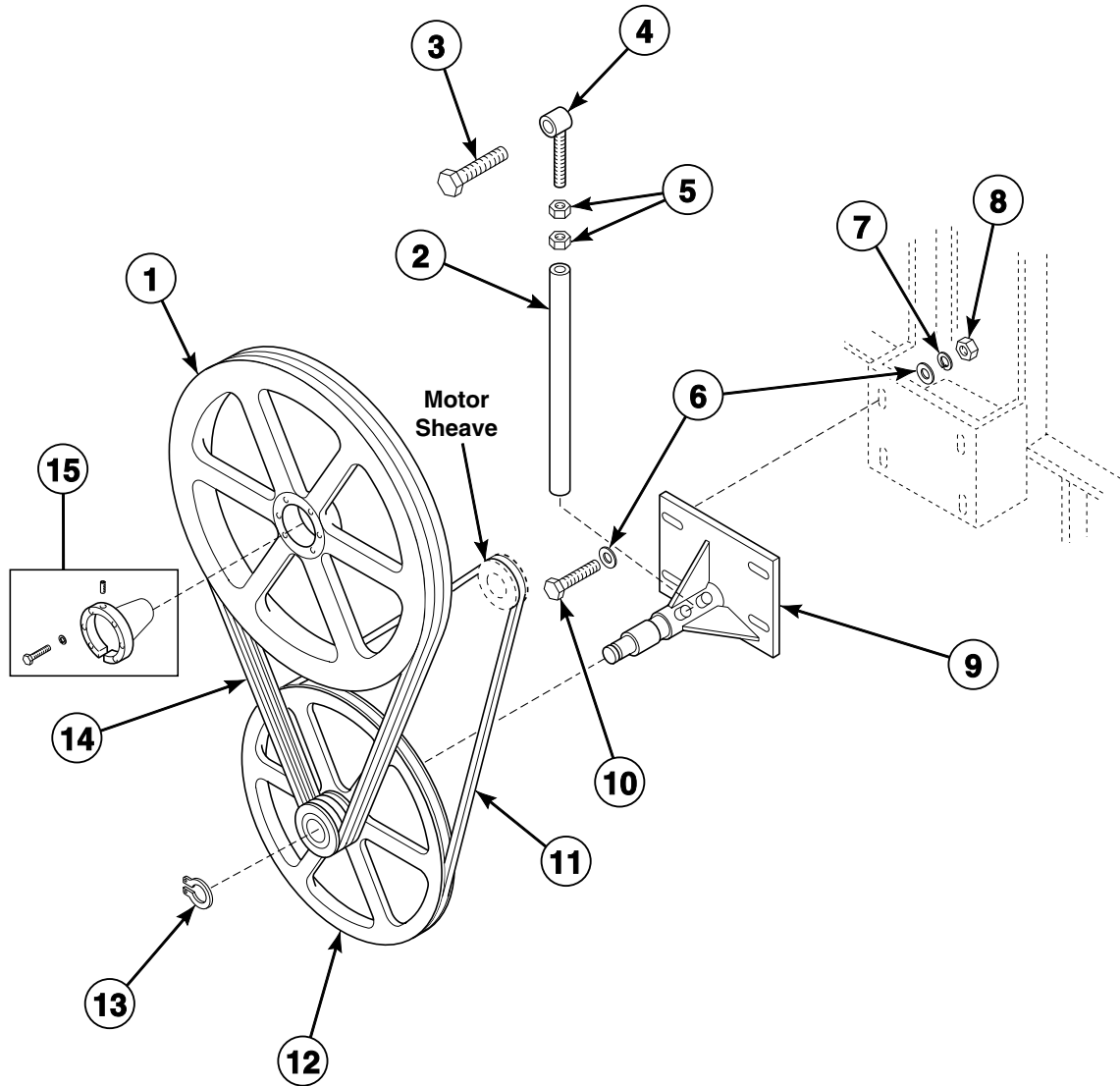
TMB2804P_70410701

Lint Screen and Drive Guard - 170 Pound Models

| REF | PART NO. | DESCRIPTION | COMMENTS |
|-----|-----------|-------------------------|--------------------------------|
| | M412980W | Top Access Panel Gusset | |
| 1 | N/A | Belt Guard Side | Right |
| 2 | M400984 | Clip | Speed nut |
| 3 | N/A | Screw | |
| 4 | N/A | Belt Guard Top | |
| 5 | N/A | Belt Guard Side | Left |
| 6 | 430497 | Screw | |
| 7 | M414284 | Belt Guard Cover | |
| 8 | N/A | Belt Guard Corner | |
| 9 | H96362025 | Lint Screen Frame | |
| 10 | 44063603P | Lint Screen | Includes frame |
| | 44077703P | Lint Screen | With snaps; Frame not included |
| 11 | M414704 | Thermistor | MM and OM control suffixes |
| 12 | M400044 | Screw | |
| 13 | H96418413 | Lint Screen Clip | |
| 14 | 23951 | Nut | |
| 15 | 44342603 | Sensor Cable Assembly | OM control suffix |
| | N/A | Sensor Cable Assembly | MM control suffix |

N/A = Part no longer available

Drive Sheave, Step Pulley and Belts

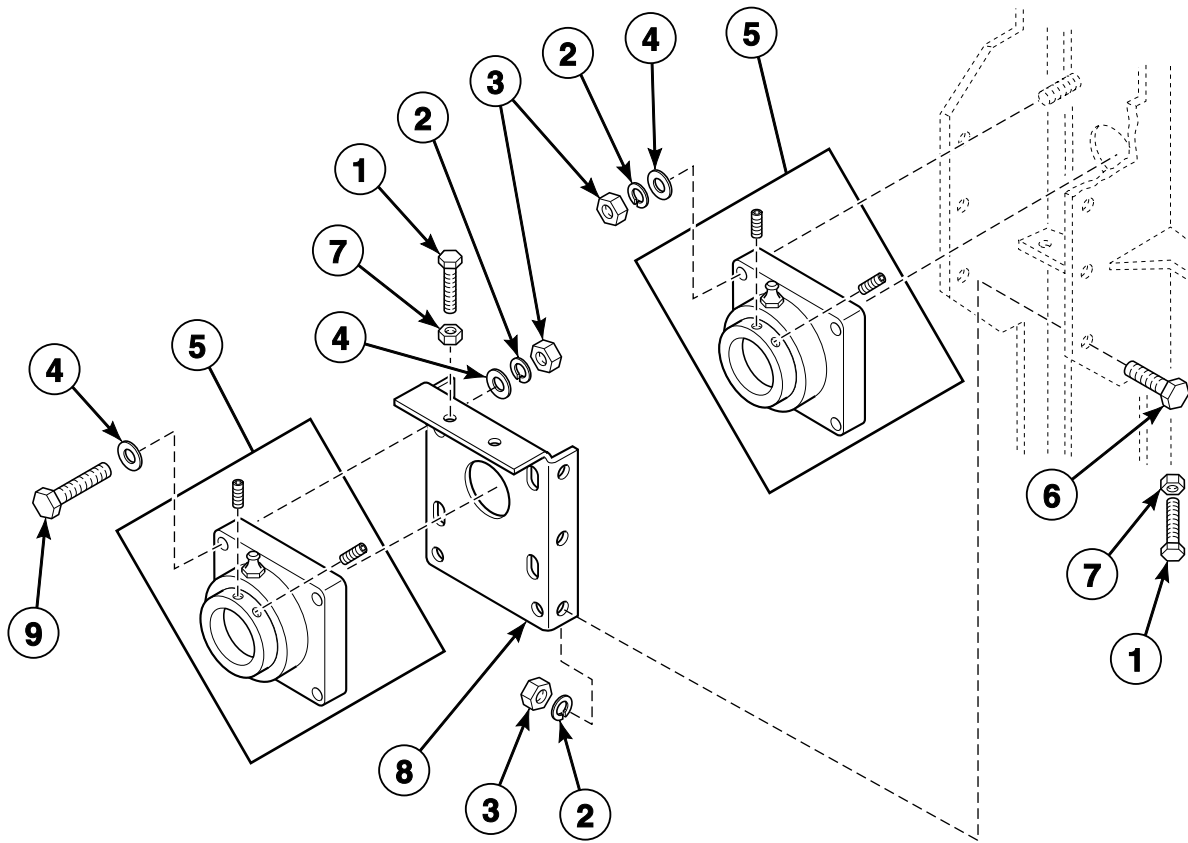


T249PZ3B_70410701

Drive Sheave, Step Pulley and Belts

| REF | PART NO. | DESCRIPTION | COMMENTS |
|-----------|------------|----------------------|---------------------------|
| | M414367 | Ball Bearing | Outer |
| | H87672374 | Ball Bearing | Inner |
| | H88603477 | Retaining Ring | 2 required |
| 1 | H8752251H | Sheave | |
| 2 | H96428487 | Belt Adjustment Tube | |
| 3 | H88001565 | Screw | |
| 4 | 44048501 | Rod End | |
| 5 | M404993 | Nut | |
| 6 | M400081 | Washer | |
| 7 | M400014 | Washer | |
| 8 | 20274 | Nut | |
| 9 | H96357751 | Jackshaft Assembly | |
| 10 | 22688 | Screw | |
| 11 | H87533014 | Belt | |
| 12 | H96428024 | Step Pulley | Does not include bearings |
| 13 | H88602263 | Retaining Ring | |
| 14 | H87533816P | Belt Set | Set of 3 |
| 15 | H8752985HP | Bushing | includes key |

Trunnion Bearings

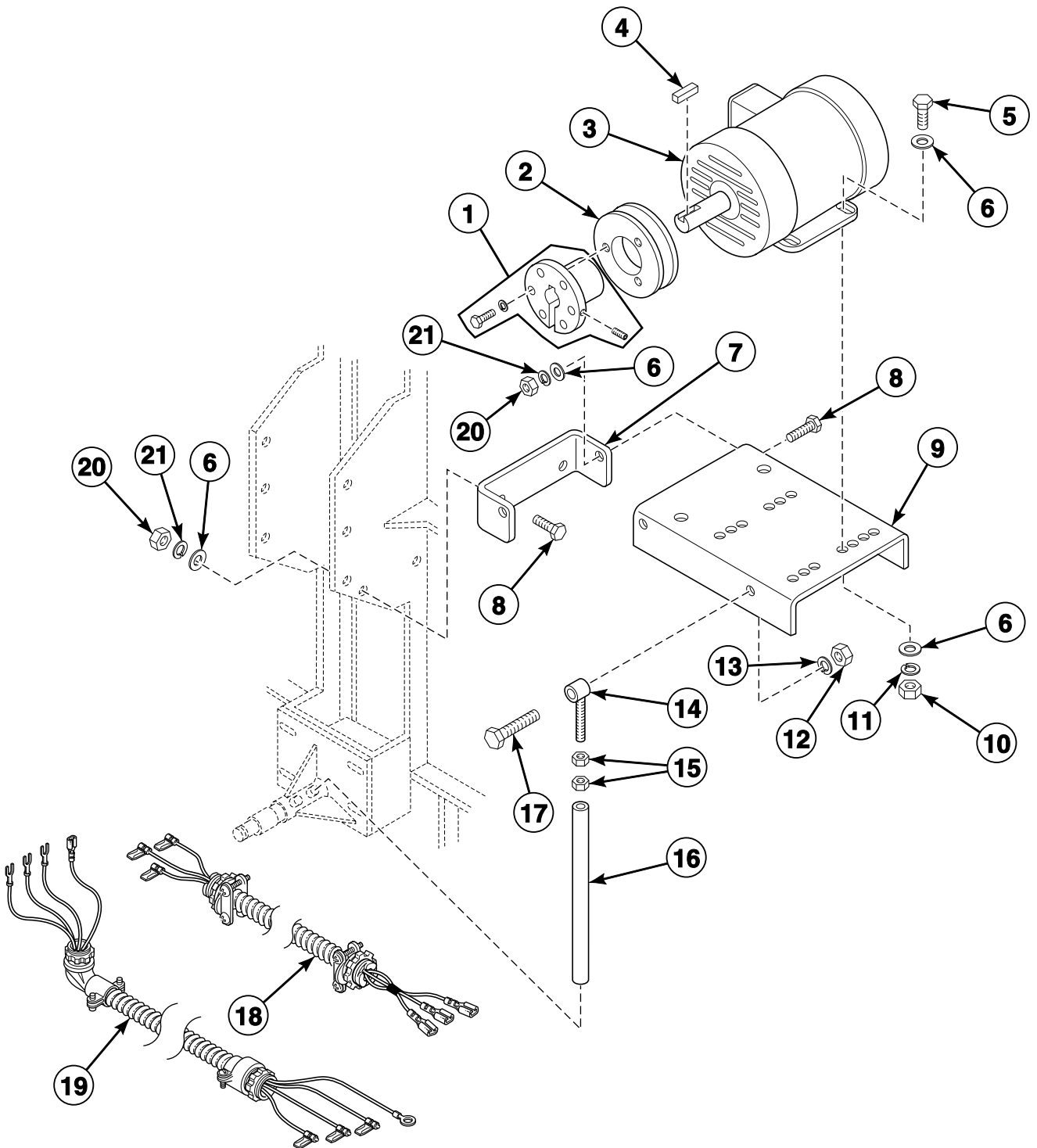


TMB1733P_70410701

Trunnion Bearings

| REF | PART NO. | DESCRIPTION | COMMENTS |
|-----|-----------|------------------|------------------|
| 1 | H88213996 | Screw | |
| 2 | M400015 | Washer | |
| 3 | H88412101 | Nut | 120 pound models |
| | 20274 | Nut | 170 pound models |
| 4 | 70261401 | Washer | 120 pound models |
| | M400081 | Washer | 170 pound models |
| 5 | 44048301P | Flange Bearing | 2 required |
| 6 | H88012034 | Screw | |
| 7 | 20274 | Nut | |
| 8 | H96428008 | Bearing Mounting | |
| 9 | M411165 | Screw | |

Cylinder Drive Motor



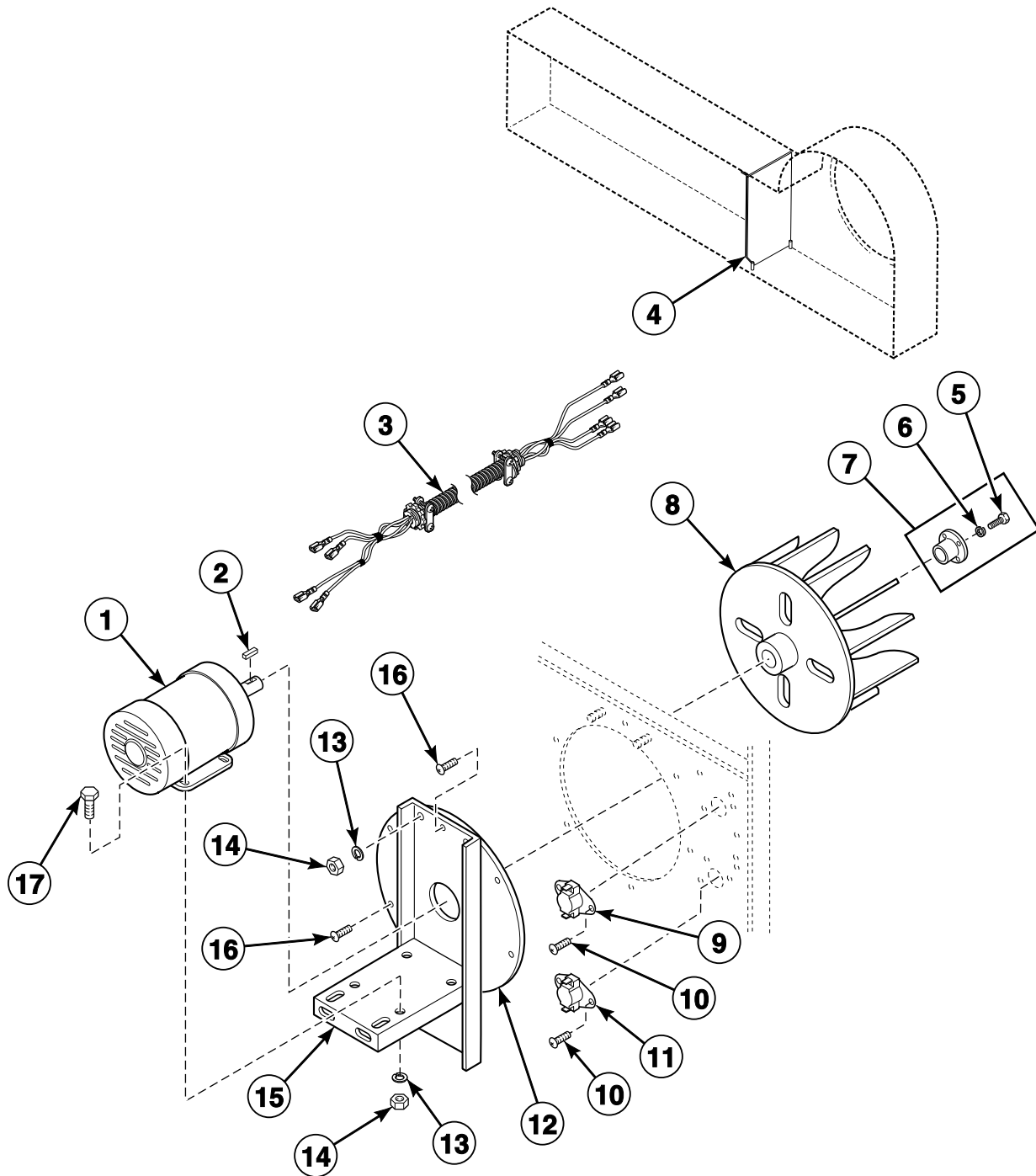
TMB2410P_70410701

Cylinder Drive Motor

| REF | PART NO. | DESCRIPTION | COMMENTS |
|-----|------------|---------------------------------|--|
| 1 | H87529129P | Bushing | 120 pound models: 60 Hertz |
| | H87529111P | Bushing | 120 pound models: 50 Hertz; All 170 pound models |
| 2 | H87520466 | Sheave | 120 pound models: 60 Hertz |
| | H87520334 | Sheave | 120 pound models: 50 Hertz; 170 pound models: 60 Hertz |
| | H8752026H | Sheave | 170 pound models; 50 Hertz |
| 3 | 44052901P | Motor | 208-240-480 Volt/60 Hertz/3 Phase |
| | 44053001P | Motor | 190-220 or 380 Volt/50 Hertz/3 Phase |
| 4 | H8752006H | Key | |
| 5 | M400056 | Screw | |
| 6 | M400080 | Washer | |
| 7 | H96428693 | Base Bracket | |
| 8 | 22688 | Screw | |
| 9 | M413171 | Motor Base | |
| 10 | 70142 | Nut | |
| 11 | M400013 | Washer | |
| 12 | H88412093 | Nut | |
| 13 | N/A | Washer | |
| 14 | 44048501 | Rod End | |
| 15 | M404993 | Nut | |
| 16 | N/A | Belt Adjustment Tube | |
| 17 | H88001565 | Screw | |
| 18 | N/A | Cylinder Motor Harness Assembly | DT, JT and ST models |
| 19 | M413110 | Cylinder Motor Harness Assembly | DC, JC and SC models with MT and OM control suffixes |
| 20 | 20274 | Nut | |
| 21 | M400014 | Washer | |

N/A = Part no longer available

Fan Motor and Fan Assembly - 120 Pound 60 Hertz Models

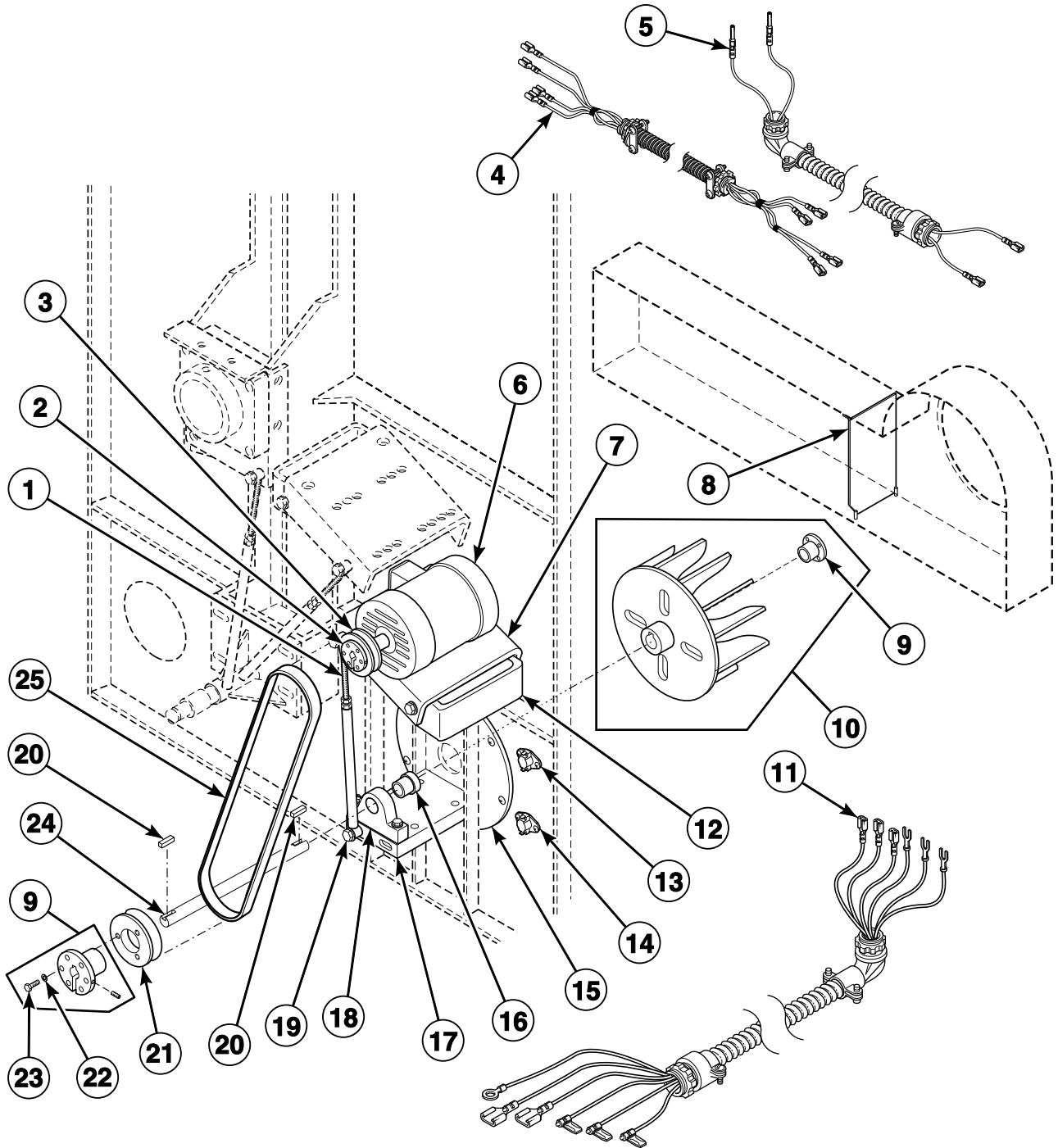


TMB2445P_70410701

Fan Motor and Fan Assembly - 120 Pound 60 Hertz Models

| REF | PART NO. | DESCRIPTION | COMMENTS |
|-----|------------|--------------------------------|-----------------------------------|
| 1 | 44046301P | Motor | 208-230-460 Volt/60 Hertz/3 Phase |
| 2 | H8752006H | Key | |
| 3 | M413083 | Cabinet Limit Harness Assembly | DT, JT and ST models |
| 4 | M409967 | Damper Assembly | |
| 5 | H8800901H | Screw | |
| 6 | 56552 | Washer | |
| 7 | H87529111P | Bushing | Includes items 5 and 6 |
| 8 | M414546 | Fan and Bushing Assembly | |
| 9 | M411403 | Limit Thermostat | DT, JT and ST models |
| 10 | 430497 | Screw | |
| 11 | H8900530H | Thermostat | Load ready |
| 12 | H96358007 | Blower Cover | |
| 13 | M400013 | Washer | |
| 14 | 70142 | Nut | |
| 15 | H608P3 | Blower Motor Base Kit | |
| 16 | 51778 | Screw | |
| 17 | M400056 | Screw | |

Fan Motor and Fan Assembly - 120 Pound 50 Hertz Models

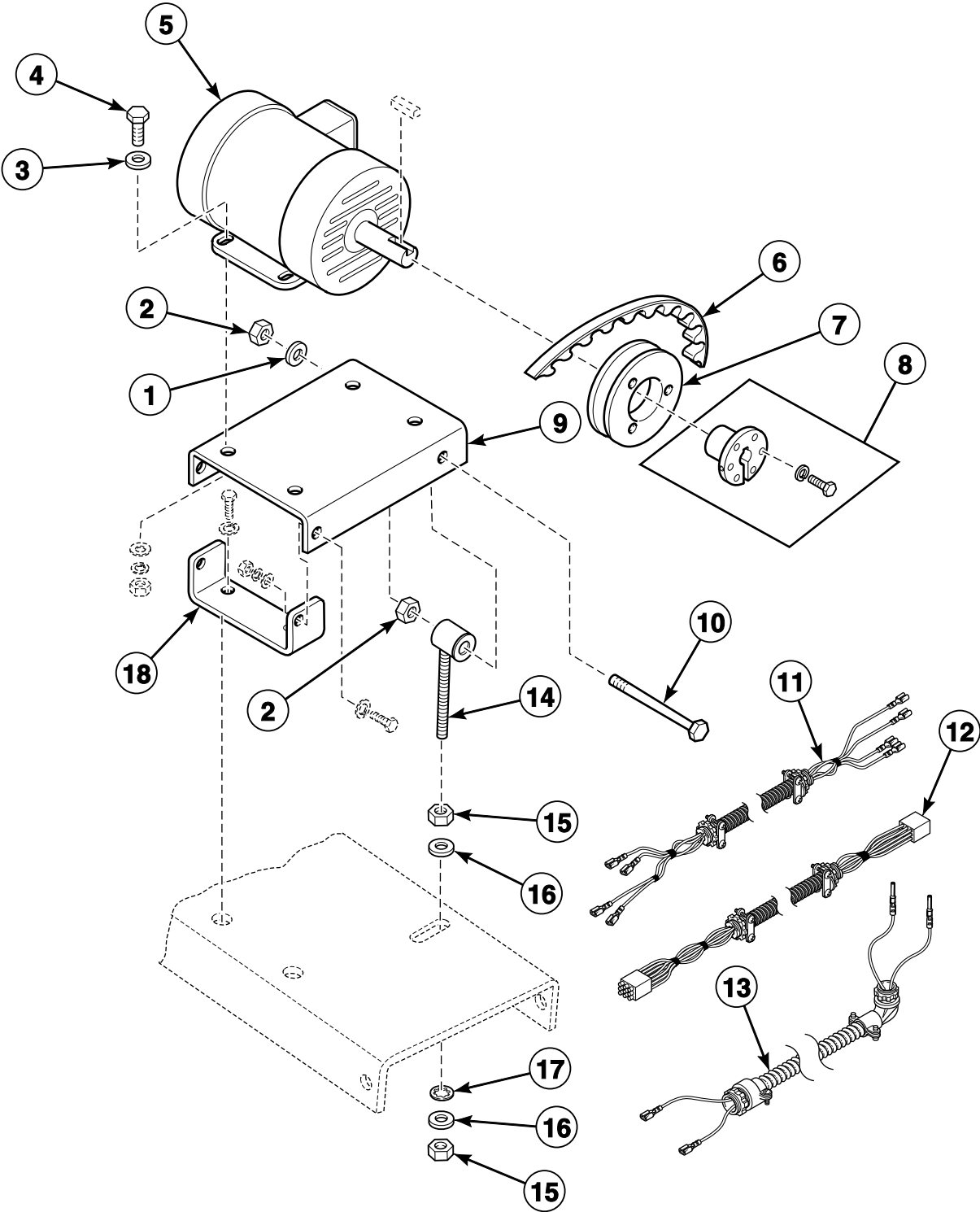


TMB2446P_70410701

Fan Motor and Fan Assembly - 120 Pound 50 Hertz Models

| REF | PART NO. | DESCRIPTION | COMMENTS |
|-----|------------|--------------------------------|---|
| | H8768302H | Bearing Mounting Flangette | 2 required |
| 1 | 44048501 | Rod End | |
| 2 | H87529111P | Bushing | Includes items 22 and 23 |
| 3 | H87520334 | Sheave | |
| 4 | M413083 | Cabinet Limit Harness Assembly | DT, JT and ST models |
| 5 | M414261 | Cabinet Limit Harness Assembly | DC, JC and SC models with OM control suffix |
| 6 | 44046401P | Fan Motor | 220-380-415 Volt/50 Hertz/3 Phase |
| 7 | M413171 | Motor Base | |
| 8 | M409967 | Damper Assembly | |
| 9 | M412917P | Bushing | Includes items 22 and 23 |
| 10 | M414546 | Fan and Bushing Assembly | Includes items 9, 22 and 23 |
| 11 | M413111 | Fan Motor Harness Assembly | DC, JC and SC models with MT and OM control suffixes |
| 12 | H96428693 | Base Bracket | |
| 13 | M411946 | Limit Thermostat | DT, JT and ST models; DC, JC and SC models with MM control suffix |
| | M413088 | Thermostat | High limit; DC, JC and SC models with MT control suffix |
| 14 | H8900530H | Thermostat | Load ready |
| 15 | H96358007 | Blower Cover | |
| 16 | H8768212H | Ball Bearing Insert | For flangettes and pillow block |
| 17 | H608P3 | Blower Motor Base Kit | |
| 18 | 44104801 | Ball Bearing | |
| 19 | H96428628 | Motor Adjustment Tube | |
| 20 | H8752006H | Key | |
| 21 | H87520284 | Sheave | |
| 22 | 56552 | Washer | |
| 23 | H8800901H | Screw | |
| 24 | M412000 | Blower Shaft | |
| 25 | H8753170H | Belt | |

Fan Motor Assembly - 170 Pound Models



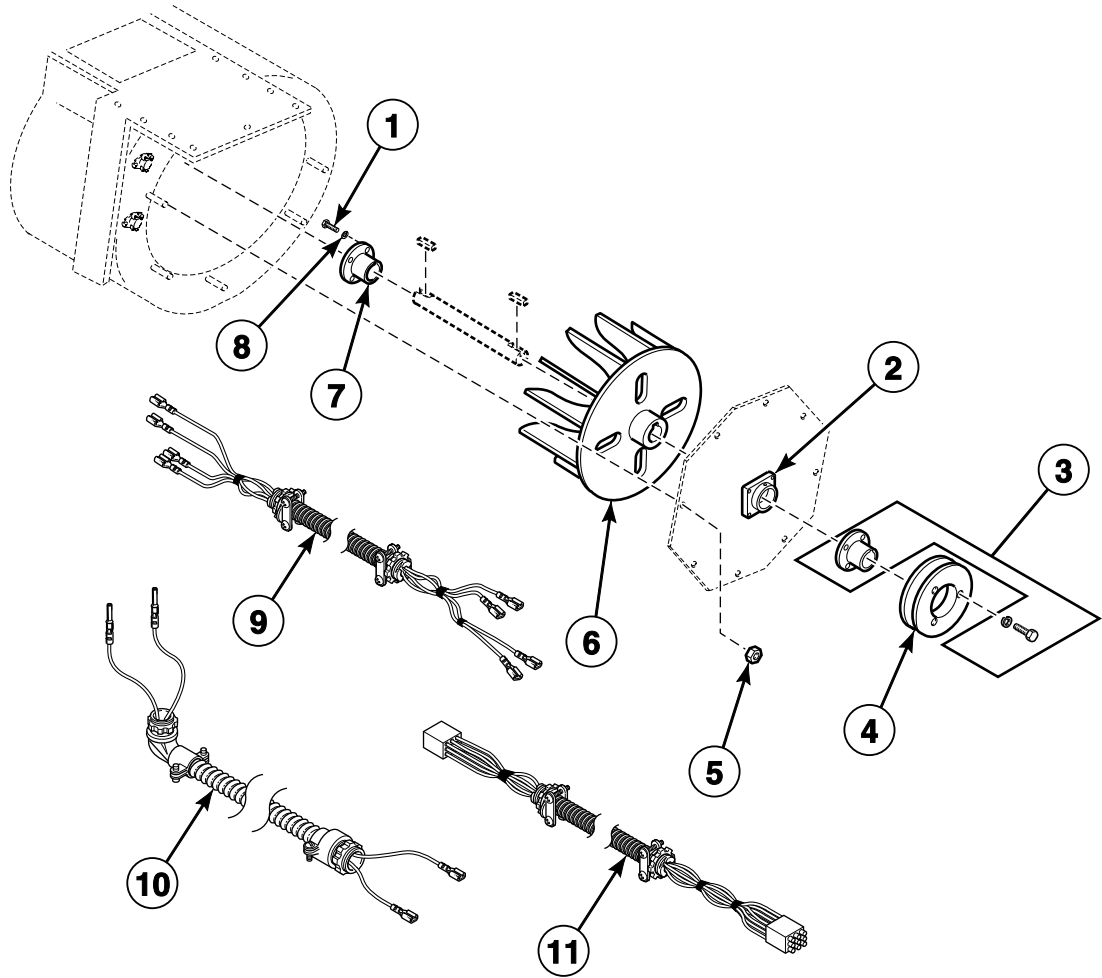
TMB2411P_70410701

Fan Motor Assembly - 170 Pound Models

| REF | PART NO. | DESCRIPTION | COMMENTS |
|-----------|-----------|--------------------------------|--|
| | 22688 | Screw | Bracket; 4 required |
| | M400014 | Washer | Bracket; 4 required |
| | 20274 | Nut | Bracket; 4 required |
| | M400013 | Washer | Motor |
| | 70142 | Nut | Motor |
| 1 | N/A | Washer | |
| 2 | H88412093 | Nut | 2 required |
| 3 | M400080 | Washer | Bracket and motor |
| 4 | M400056 | Screw | Motor |
| 5 | 44313501P | Fan Motor | 208-230-460 Volt/60 Hertz/3 Phase |
| | 44046601P | Motor | 220-380-440 Volt/50 Hertz/3 Phase |
| 6 | H87532685 | Belt | |
| 7 | H8752060H | Sheave | 60 Hertz |
| | H8752065H | Sheave | 50 Hertz |
| 8 | M412995P | Bushing | |
| 9 | M413171 | Motor Base | |
| 10 | M413528 | Screw | |
| 11 | M413083 | Cabinet Limit Harness Assembly | DT, JT and ST models |
| 12 | M413144 | Cabinet Limit Harness Assembly | DT, JT and ST models with MM and MT control suffixes |
| 13 | M414261 | Cabinet Limit Harness Assembly | DC, JC and SC models with OM control suffix |
| 14 | 44048501 | Rod End | |
| 15 | 70261401 | Washer | 2 required |
| 16 | H88412101 | Nut | 2 required |
| 17 | M400015 | Washer | |
| 18 | H96428693 | Base Bracket | |

N/A = Part no longer available

Fan Assembly - 170 Pound Models Through 4/8/98



TMB2412P_70410701

Fan Assembly - 170 Pound Models Through 4/8/98

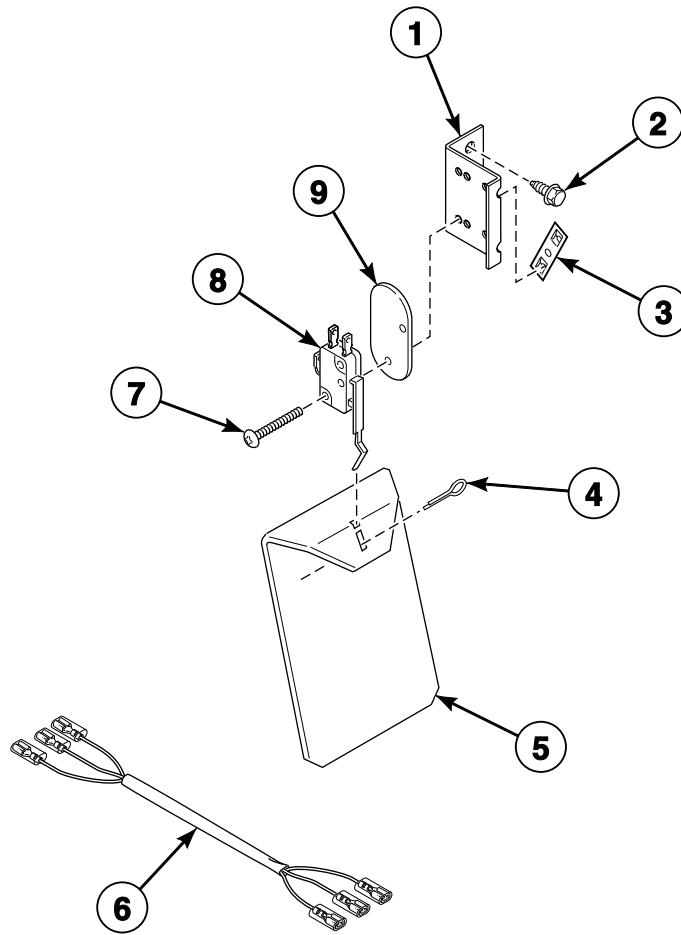
| REF | PART NO. | DESCRIPTION | COMMENTS |
|-----|------------|--------------------------------|--|
| 1 | H8800901H | Screw | 3 required |
| 2 | M4680P3 | Fan Bearing Conversion Kit | Order to replace blower shaft and flange bearing |
| 3 | H8752922HP | Bushing | |
| 4 | H8752065H | Sheave | 60 Hertz |
| | H8752060H | Sheave | 50 Hertz |
| 5 | 29786 | Nut | |
| 6 | H96368469 | Fan | |
| 7 | M412917P | Bushing | |
| 8 | 56552 | Washer | 3 required |
| 9 | M413083 | Cabinet Limit Harness Assembly | DT, JT and ST models |
| 10 | M414261 | Cabinet Limit Harness Assembly | DC, JC and SC models with OM control suffix |
| 11 | M413144 | Cabinet Limit Harness Assembly | DT, JT and ST models with MM and MT control suffixes |

Fan Assembly - 170 Pound Models Starting 4/9/98

| REF | PART NO. | DESCRIPTION | COMMENTS |
|-----|------------|--------------------------------|--|
| 1 | H8800901H | Screw | 3 required |
| 2 | 56552 | Washer | 3 required |
| 3 | M412917P | Bushing | |
| 4 | H96368469 | Fan | |
| 5 | M4680P3 | Fan Bearing Conversion Kit | |
| 6 | M412630 | Idler Housing Assembly | |
| 7 | M400080 | Washer | |
| 8 | M400014 | Washer | |
| 9 | M400043 | Screw | |
| 10 | M414241 | Idler Shaft | |
| 11 | H8752065H | Sheave | 60 Hertz |
| | H8752060H | Sheave | 50 Hertz |
| 12 | H8752922HP | Bushing | |
| 13 | M409385 | Screw | |
| 14 | M401370 | Bearing Retainer | |
| 15 | M401375P | Ball Bearing | |
| 16 | M401327 | Key | |
| 17 | M400993 | Key | |
| 18 | M412612 | Idler Housing | |
| 19 | M400401 | Loading Spring | |
| 20 | 29786 | Nut | |
| 21 | 20274 | Nut | |
| 22 | 70187202 | Screw | |
| 23 | M413083 | Cabinet Limit Harness Assembly | DT, JT and ST models |
| 24 | M414261 | Cabinet Limit Harness Assembly | DC, JC and SC models with OM control suffix |
| 25 | M413144 | Cabinet Limit Harness Assembly | DT, JT and ST models with MM and MT control suffixes |

Airflow Switch Assembly

Mounted on Back of Cabinet

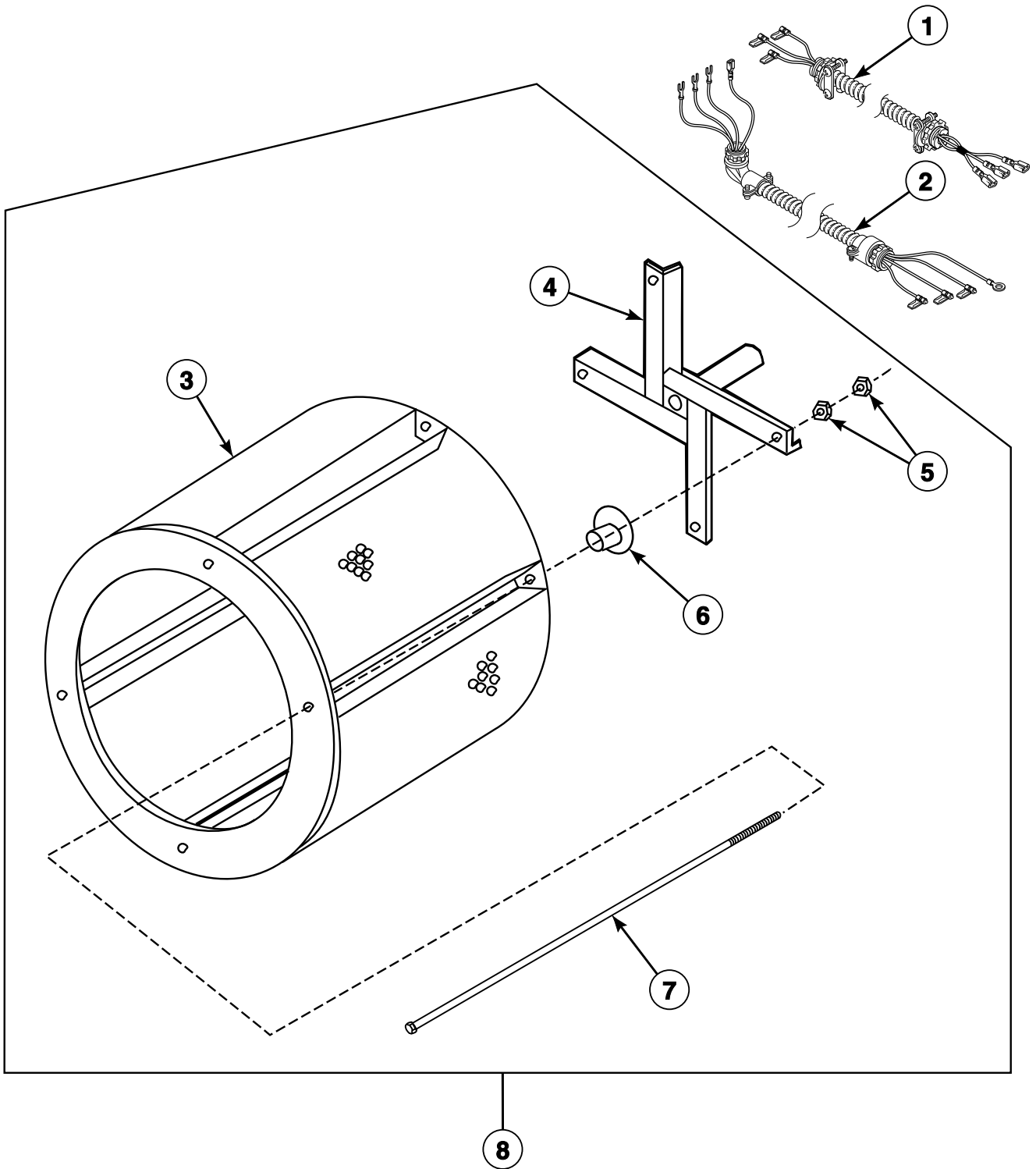


TMB2786P_70410701

Airflow Switch Assembly

| REF | PART NO. | DESCRIPTION | COMMENTS |
|-----|-----------|---------------------------------|----------------------|
| 1 | 430370 | Airflow Switch Bracket | |
| 2 | 430497 | Screw | |
| 3 | M400979 | Nut | |
| 4 | 02470 | Cotter Pin | |
| 5 | 70502301 | Airflow Switch Vane | |
| 6 | M413042P | Airflow Switch Harness Assembly | DT, JT and ST models |
| 7 | M401938 | Screw | |
| 8 | 44021701 | Lever Arm Switch | DT, JT and ST models |
| 9 | H96418728 | Mounting Insulation | |

Cylinder and Trunnion Shaft



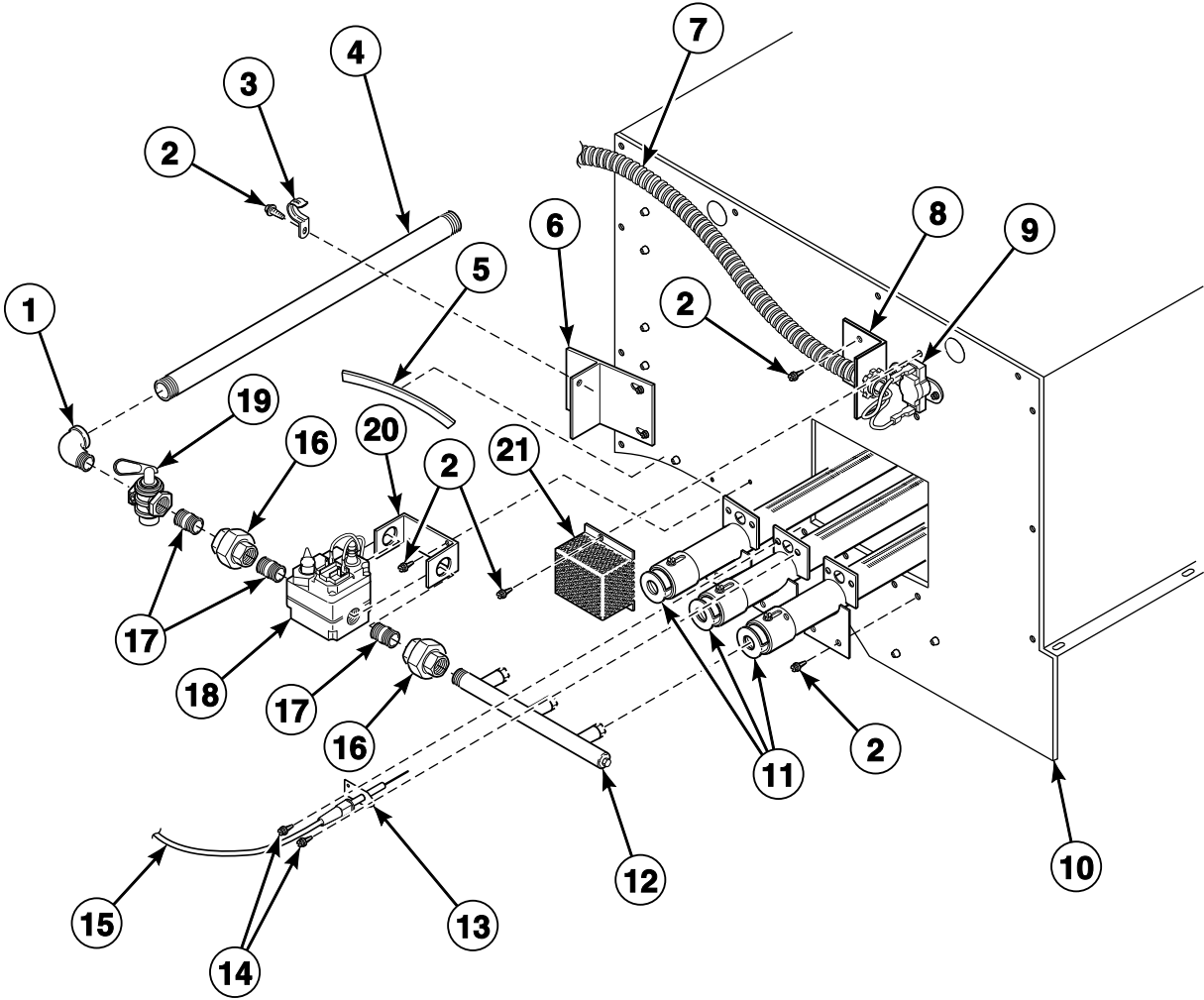
TMB2414P_70410701

Cylinder and Trunnion Shaft

| REF | PART NO. | DESCRIPTION | COMMENTS |
|-----|-----------|---------------------------------|-----------------------------------|
| | M401402 | Spacer | |
| 1 | N/A | Cylinder Motor Harness Assembly | DT, JT and ST models |
| 2 | M413110 | Cylinder Motor Harness Assembly | DC, JC and SC models |
| 3 | H96427513 | Cylinder Assembly | Galvanized; 120 pound models |
| | M409788 | Cylinder Assembly | Stainless steel; 120 pound models |
| | M409659 | Cylinder Assembly | Poly coated; 120 pound models |
| | H96367545 | Cylinder Assembly | Galvanized; 170 pound models |
| | M409826 | Cylinder Assembly | Stainless steel; 170 pound models |
| 4 | 44055501 | Trunnion Assembly | 120 pound models |
| | 44240801 | Trunnion Assembly | 170 pound models |
| 5 | H88412101 | Nut | |
| 6 | M412334 | Nut | Rib rod |
| 7 | H88301411 | Bolt | Rib rod; 120 pound models |
| | H8830143H | Bolt | Rib rod; 170 pound models |
| 8 | 44054801 | Cylinder and Trunnion Assembly | Galvanized; 120 pound models |
| | 44054802 | Cylinder and Trunnion Assembly | Stainless steel; 120 pound models |
| | M409708 | Cylinder and Trunnion Assembly | Poly coated; 120 pound models |
| | 44054701 | Cylinder and Trunnion Assembly | Galvanized; 170 pound models |
| | 44054702 | Cylinder and Trunnion Assembly | Stainless steel; 170 pound models |

N/A = Part no longer available

Gas Burner Unit - 120 Pound Models



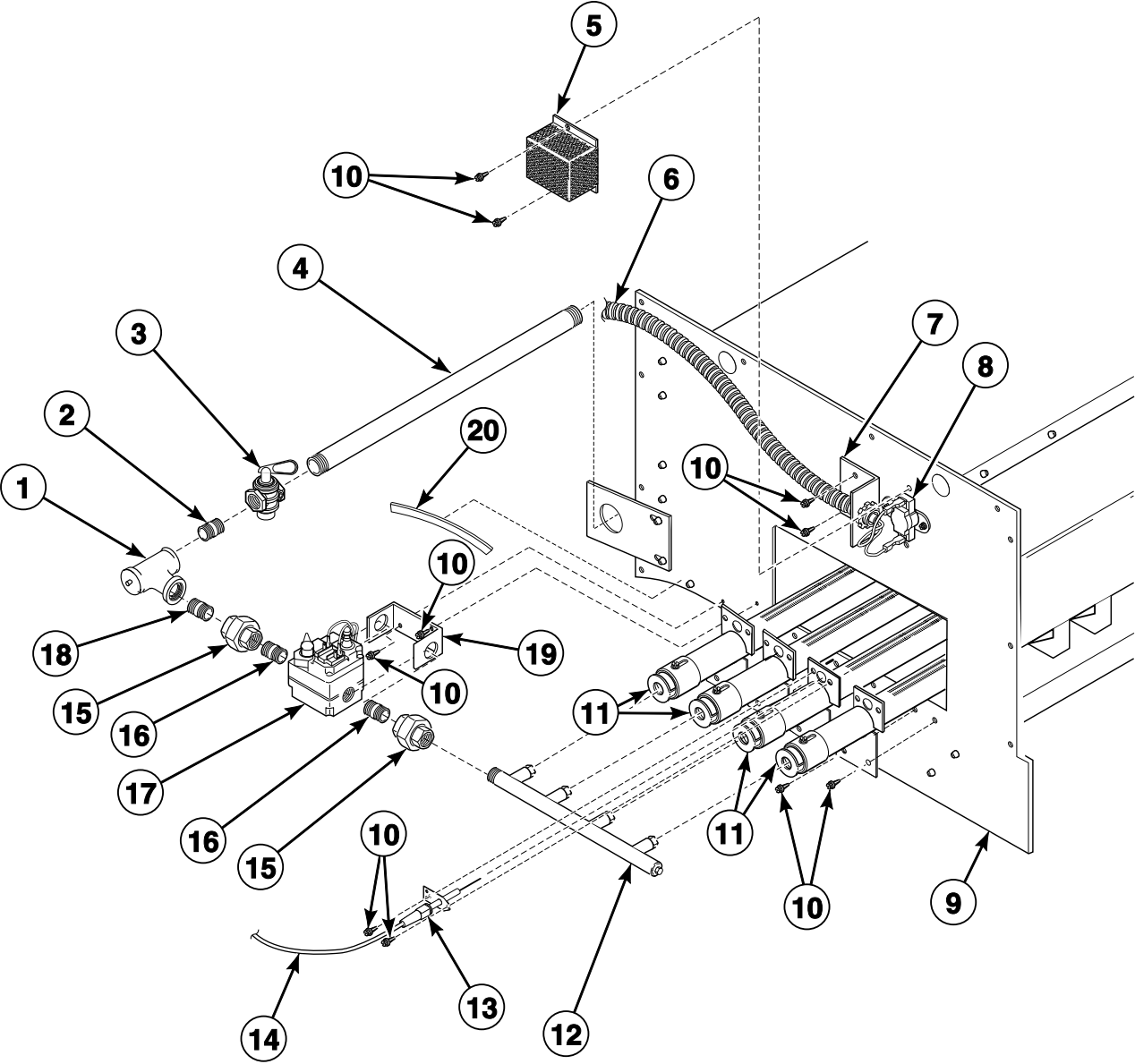
TMB2977P_70410701

Gas Burner Unit - 120 Pound Models

| REF | PART NO. | DESCRIPTION | COMMENTS |
|-----------|-----------|--------------------------------|---|
| | M412159 | Screw | Use with gas valve flange |
| | M4577P3 | Conversion Kit | MM, MT and OM control suffixes; Natural Gas (N.G.) to Liquid Petroleum Gas (L.P.) |
| | M411506 | Stove Partition Gasket | Sold by foot; 3 feet required |
| | M411061 | ICM Return Lead | Australian models |
| 1 | M411264 | Street Elbow | |
| 2 | 430497 | Screw | |
| 3 | M411614 | Conduit Clamp | |
| 4 | M411265 | Gas Pipe | |
| 5 | M411505 | Stove Gasket | Sold by foot; 2 feet required |
| 6 | M411498 | Pipe Bracket | |
| 7 | M413104P | Stove Limit Harness Assembly | |
| 8 | 431078 | Stove Limit Harness Bracket | |
| 9 | M411404 | Stove Limit Thermostat | 60 Hertz; High limit |
| | M413988 | Thermostat | 50 Hertz; High limit manual reset |
| 10 | M411097 | Stove Assembly | |
| 11 | M412025P | Burner | 3 required |
| 12 | M411254 | Spud Holder | |
| 13 | M410905P | Spark Igniter | Australian models |
| | 44328701P | Spark Electrode | All other models; If spark igniter is longer than 3.837 inches, order M4580P3 Burner/Igniter Retrofit Kit |
| 14 | 51782 | Screw | |
| 15 | 44061605P | High Temperature Ignition Lead | Australian models |
| | 44061602P | High Temperature Ignition Lead | All other models |
| 16 | M411419 | Pipe Union | |
| 17 | M411417 | Pipe Nipple | |
| 18 | M412362P | Gas Valve | 60 Hertz; N.G. and L.P.; DT, JT and ST models with MM and MT control suffixes |
| | N/A | Gas Valve | 50 Hertz; N.G.; DT, JT and ST models with MT control suffix |
| | N/A | Gas Valve | 50 Hertz; L.P.; DT, JT and ST models with MT control suffix |
| | M4883P3 | Gas Valve Kit | 60 Hertz; L.P.; DT, JT and ST models with OM control suffix |
| | M413470P | Gas Valve | 60 Hertz; N.G.; DT, JT and ST models with OM control suffix |
| | M4952P3 | Gas Valve Kit | 50 Hertz; L.P.; DT, JT and ST models with OM control suffix |
| | M4951P3 | Gas Valve Kit | 50 Hertz; N.G.; DT, JT and ST models with OM control suffix |
| | M4904P3 | Valve Replacement Kit | 50 Hertz; DC, JC and SC models |
| 19 | M413016 | Ball Valve | |
| 20 | M411259 | Gas Valve Bracket | |
| 21 | M414477 | Thermostat Cover | |

N/A = Part no longer available

Gas Burner Unit - 170 Pound Models



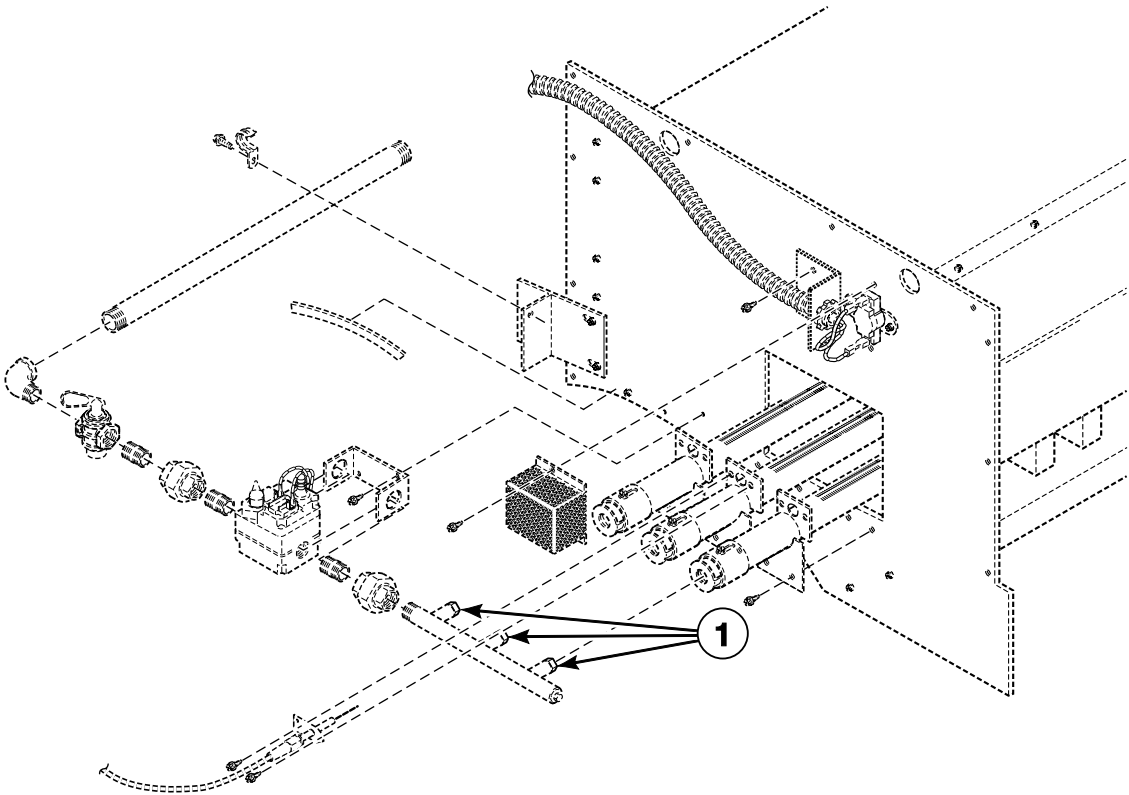
T339PZ3B_70410701

Gas Burner Unit - 170 Pound Models

| REF | PART NO. | DESCRIPTION | COMMENTS |
|-----------|-----------|--------------------------------|---|
| | M414287 | Sensor Wire | Australian models |
| | M411506 | Stove Partition Gasket | Sold per foot; 3 feet required |
| | M4592P3 | L.P. Conversion Kit | Natural Gas (N.G.) to Liquid Petroleum Gas (L.P.); MM, MT and OM control suffixes |
| 1 | N/A | Reducing Tee | |
| 2 | M413023 | Pipe Nipple | |
| 3 | M413017 | Ball Valve | |
| 4 | N/A | Gas Inlet Pipe | |
| 5 | M414477 | Thermostat Cover | |
| 6 | M413041 | Stove Limit Harness Assembly | |
| 7 | 431078 | Stove Limit Harness Bracket | |
| 8 | M411404 | Stove Limit Thermostat | N.G.; 60 Hertz |
| | M413988 | Thermostat | Manual reset; N.G.; 50 Hertz |
| | M413989 | Manual Reset Thermostat | L.P. |
| | 431177 | Stove Limit Thermostat | L.P.; 50 or 60 Hertz; DT, JT and ST models |
| 9 | M412016P | Stove Assembly | |
| 10 | 430497 | Screw | |
| 11 | M412025P | Burner | 4 required for N.G.; 3 required for L.P. |
| 12 | M411736 | Spud Holder | |
| 13 | M410905P | Spark Igniter | Australian models |
| | 44328701P | Spark Electrode | All other models |
| 14 | 44061605P | High Temperature Ignition Lead | Australian models |
| | 44061602P | High Temperature Ignition Lead | All other models |
| 15 | M411419 | Pipe Union | |
| 16 | M411417 | Pipe Nipple | |
| 17 | M412362P | Gas Valve | 60 Hertz; N.G. and L.P.; DT, JT and ST models with MT and MM control suffixes |
| | N/A | Gas Valve | 50 Hertz; N.G.; DT, JT and ST models with MT control suffix |
| | N/A | Gas Valve | 50 Hertz; L.P.; DT, JT and ST models with MT control suffix |
| | M413470P | Gas Valve | 60 Hertz; DT, JT and ST models with OM control suffix |
| | M4883P3 | Gas Valve Kit | 50 or 60 Hertz; L.P.; DT, JT and ST models with OM control suffix |
| | M4951P3 | Gas Valve Kit | |
| | M4900P3 | N.G. Kit | 50 Hertz; DC, JC and SC models |
| | N/A | Flange | Use with M414288P Gas Valve |
| 18 | H85101673 | Nipple | |
| 19 | M411259 | Gas Valve Bracket | |
| 20 | M411505 | Stove Gasket | Sold by foot; 2 feet required |

N/A = Part no longer available

Gas Burner Orifices

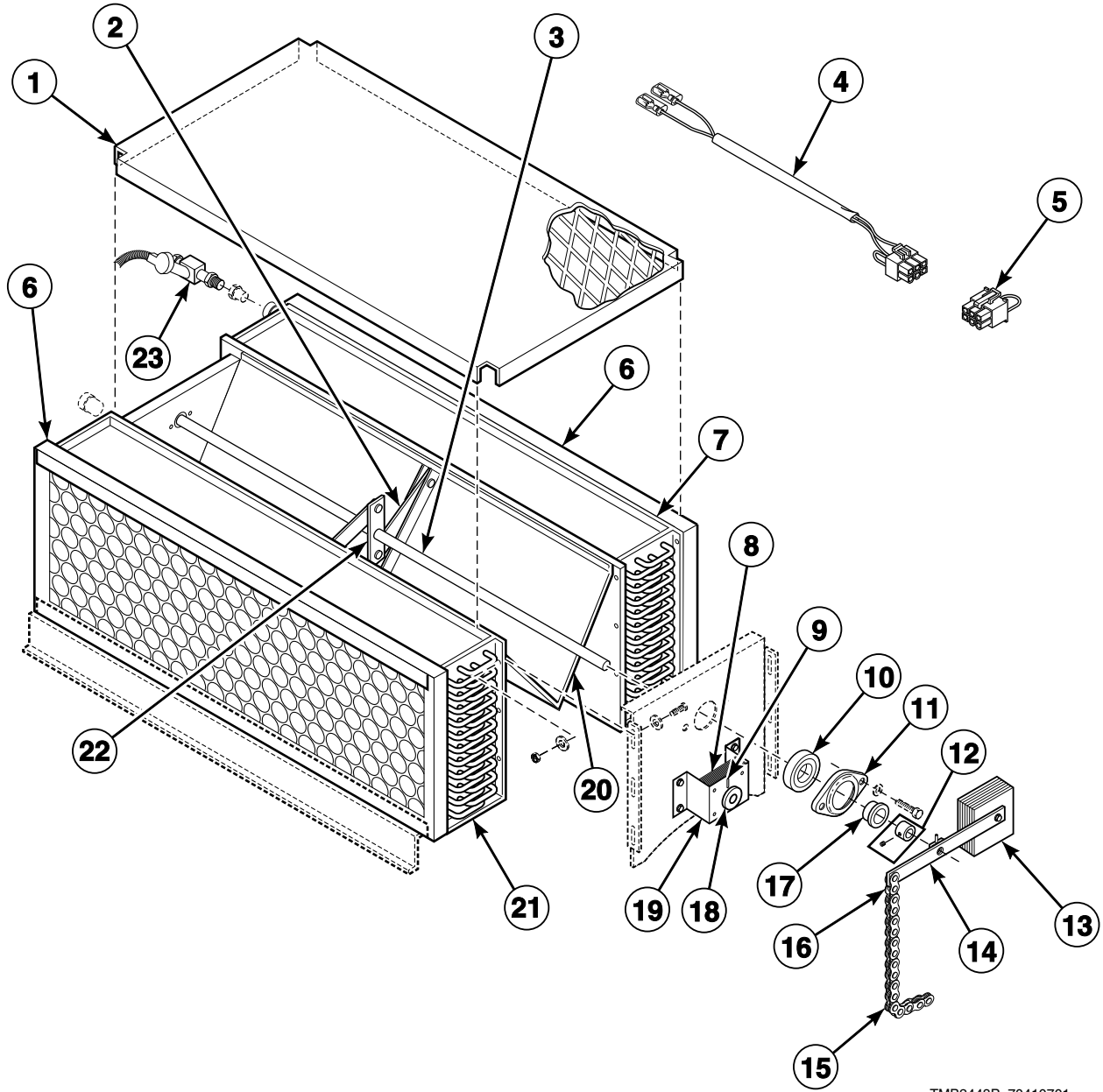


TMB1737PA_70410701

Gas Burner Orifices

| REF | PART NO. | DESCRIPTION | COMMENTS |
|-----|----------|----------------|---|
| 1 | M411372 | Burner Orifice | Natural Gas (N.G.); 3 required for 120 pound models; 4 required for 170 pound models; 0-2,000 feet; Drill no. 12 (4.8 mm) |
| | M411371 | Burner Orifice | N.G.; 3 required for 120 pound models; 4 required for 170 pound models; 2,001-4,000 feet; Drill no. 14 (4.6 mm) |
| | M411373 | Burner Orifice | N.G.; 3 required for 120 pound models; 4 required for 170 pound models; 4,001-6,000 feet; Drill no. 16 (4.5 mm) |
| | M411374 | Burner Orifice | N.G.; 3 required for 120 pound models; 4 required for 170 pound models; 6,001-8,000 feet; Drill no. 17 (4.4 mm) |
| | M402995 | Burner Orifice | N.G.; 3 required for 120 pound models; 4 required for 170 pound models; 8,001-10,000 feet; Drill no. 19 (4.2 mm) |
| | M401022 | Burner Orifice | 120 pound models; Liquid Petroleum Gas (L.P.); 3 required; 0-2,000 feet; Drill no. 33 (2.9 mm) |
| | M402487 | Burner Orifice | 120 pound models; L.P.; 3 required; 2,001-4,000 feet; Drill no. 35 (2.8 mm) |
| | M411375 | Burner Orifice | 120 pound models; L.P.; 3 required; 4,001-6,000 feet; Drill no. 36 (2.7 mm) |
| | M411376 | Burner Orifice | 120 pound models; L.P.; 3 required; 6,001-8,000 feet; Drill no. 38 (2.6 mm) |
| | M406361 | Burner Orifice | 120 pound models; L.P.; 3 required; 8,001-10,000 feet; Drill no. 40 (2.5 mm) |
| | M400997 | Burner Orifice | 170 pound models; L.P.; 4 required; 0-2,000 feet; Drill no. 29 (3.4 mm) |
| | M401021 | Burner Orifice | 170 pound models; L.P.; 4 required; 2,001-6,000 feet; Drill no. 30 (3.3 mm) |
| | M401017 | Burner Orifice | 170 pound models; L.P.; 4 required; 6,001-10,000 feet; Drill no. 31 (3.0 mm) |

Steam Heating Unit



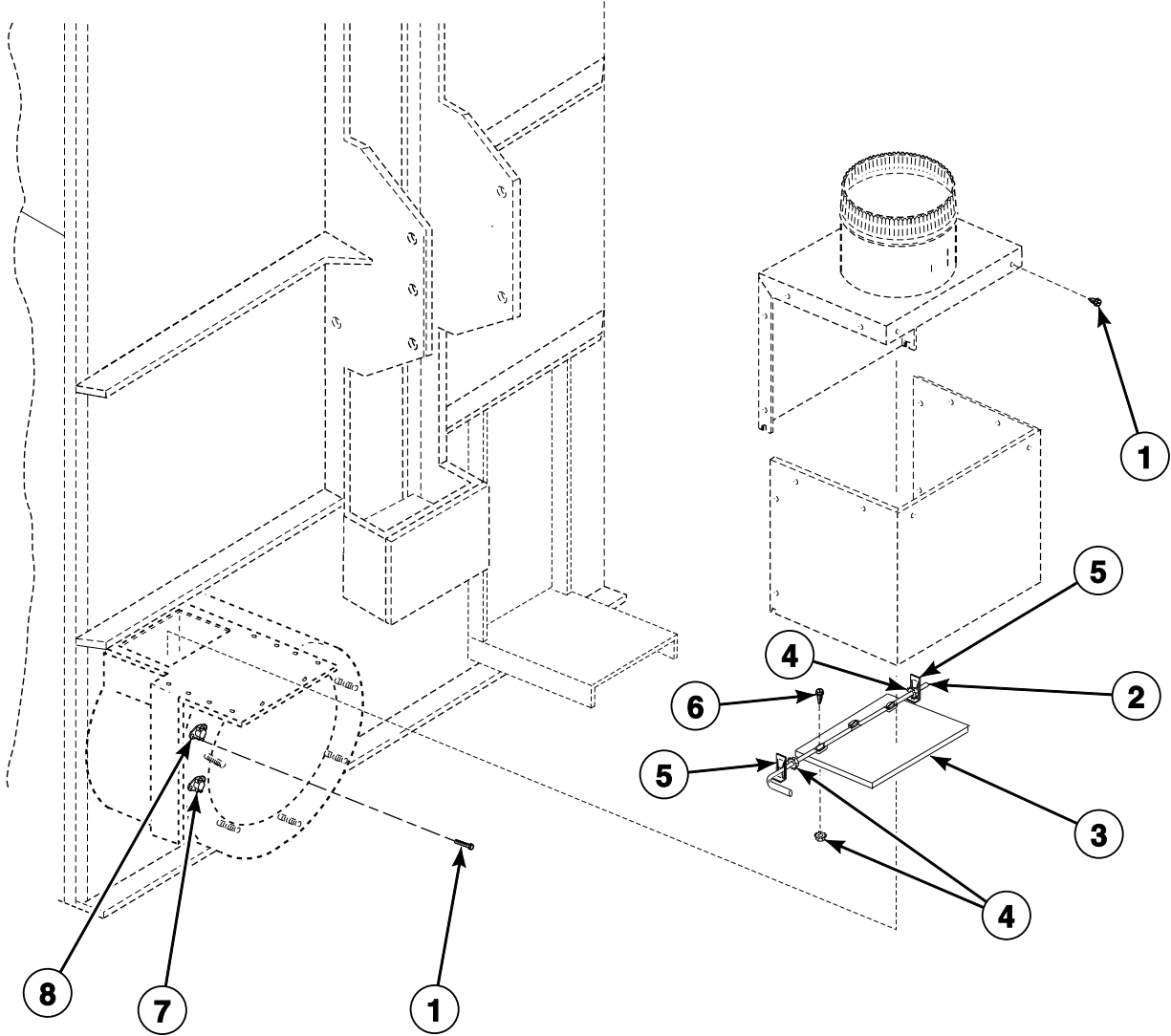
TMB2448P_70410701

Steam Heating Unit

| REF | PART NO. | DESCRIPTION | COMMENTS |
|-----|------------|--------------------------------|---|
| | H88970256 | Roll Pin | |
| | H96388087 | Filter Channel | 120 pound models; 2 required |
| | 44045101 | Filter Channel | 170 pound models; 2 required |
| | F8379502 | Valve Rebuild Kit | Use with F8322902 Steam Valve |
| 1 | 44018401 | Steam Cover | 120 pound models |
| | 44018501 | Steam Coil Housing Cover | 170 pound models; MT control suffix |
| | N/A | Solid Steam Coil Housing Cover | 170 pound models; MM control suffix |
| 2 | N/A | Damper Link | 2 required |
| 3 | N/A | Damper Shaft | |
| 4 | M413086 | Damper Motor Harness Assembly | MT and OM control suffixes |
| 5 | M413168 | Bypass Harness Assembly | MM control suffix |
| 6 | H96382106 | Steam Coil Filter | 120 pound models; 2 required |
| | H96362264 | Coil Filter | 170 pound models; 2 required |
| 7 | H96382023P | Steam Coil | 120 pound models; 2 required; Left and right |
| | M409834P | Steam Coil | 170 pound models; Right |
| | F8514801 | Valve Coil | Use with F8322902 Steam Valve |
| 8 | N/A | Damper Motor | 120 Volt/60 Hertz |
| | N/A | Damper Motor | 208-240 Volt/50 or 60 Hertz |
| | M412905P | Damper Motor | 24 Volt/50 Hertz; DC, JC and SC models; DT, JT and ST models with OM control suffix |
| | M413592P | Damper Motor | 24 Volt/60 Hertz; OM control suffix |
| 9 | H88900683 | Spring Pin | |
| 10 | H96382098 | Bearing Insert | |
| 11 | H96382080 | Bearing Flangette | 2 included |
| 12 | M414451 | Shaft Collar | For item 17 |
| 13 | M413331 | Damper Counterweight | 6 required for 120 pound models; 7 required for 170 pound models |
| 14 | H96387501 | Actuator Arm Assembly | |
| 15 | H96388186 | Drive Chain | |
| 16 | H96382072P | Master Link | 2 required |
| 17 | M414459 | Bushing | |
| 18 | H96388178 | Drive Wheel | |
| 19 | H96388145 | Motor Bracket | |
| 20 | H96387519 | Damper | 120 pound models; 2 required |
| | H96367685 | Damper Assembly | 170 pound models; 2 required |
| 21 | M409833P | Steam Coil | 170 pound models; Left |
| 22 | N/A | Damper Actuator | |
| 23 | M412259 | Steam Valve Rebuild Kit | 110 Volt/60 Hertz; DT, JT and ST models with MM and MT control suffixes |
| | M413298P | Steam Valve | 240 Volt/50 Hertz; DT, JT and ST models with MT control suffix |
| | F8322902 | Steam Valve | 60 Hertz; Asco |
| | F8322903 | Steam Valve | 24 Volt/50 Hertz; Asco; DC, JC and SC models; DT, JT and ST models with OM control suffix |
| | F8521701 | Valve Kit | 24 Volt/60 Hertz; Parker valve replacement kit; DT, JT and ST models with OM control suffix |
| | M412258 | Steam Valve Coil | 24 Volt; Use with 70351002P Steam Valve |
| | 70205701P | Steam Valve Coil | 24 Volt; Use with 70351001P Steam Valve |
| | M413299P | Steam Valve Coil | 110 Volt; Use with M413295 Steam Valve |
| | M413302 | Steam Valve Coil | 240 Volt; Use with M413298 Steam Valve |

N/A = Part no longer available

Exhaust System Components - 170 Pound Models

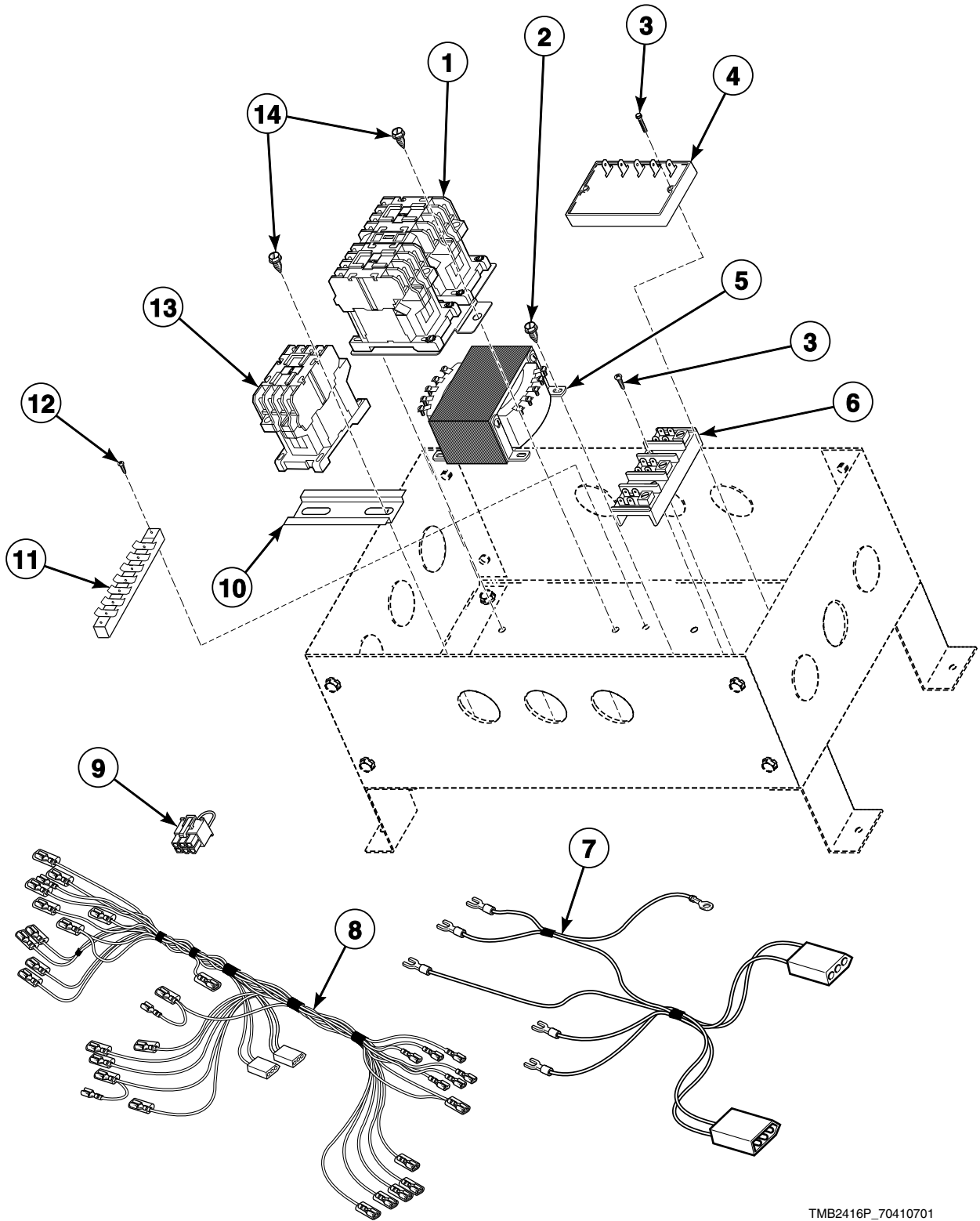


T338PZ3B_70410701

Exhaust System Components - 170 Pound Models

| REF | PART NO. | DESCRIPTION | COMMENTS |
|-----|-----------|------------------|-------------|
| 1 | 430497 | Screw | 16 required |
| 2 | M413401 | Damper Rod | |
| 3 | M413402 | Damper Vane | |
| 4 | 23951 | Nut | |
| 5 | M400976 | Clip | 2 required |
| 6 | M400044 | Screw | |
| 7 | H8900530H | Thermostat | Load ready |
| 8 | M411403 | Limit Thermostat | 60 Hertz |
| | M411946 | Limit Thermostat | 50 Hertz |

Contactor Box Assembly - DT, JT and ST Models



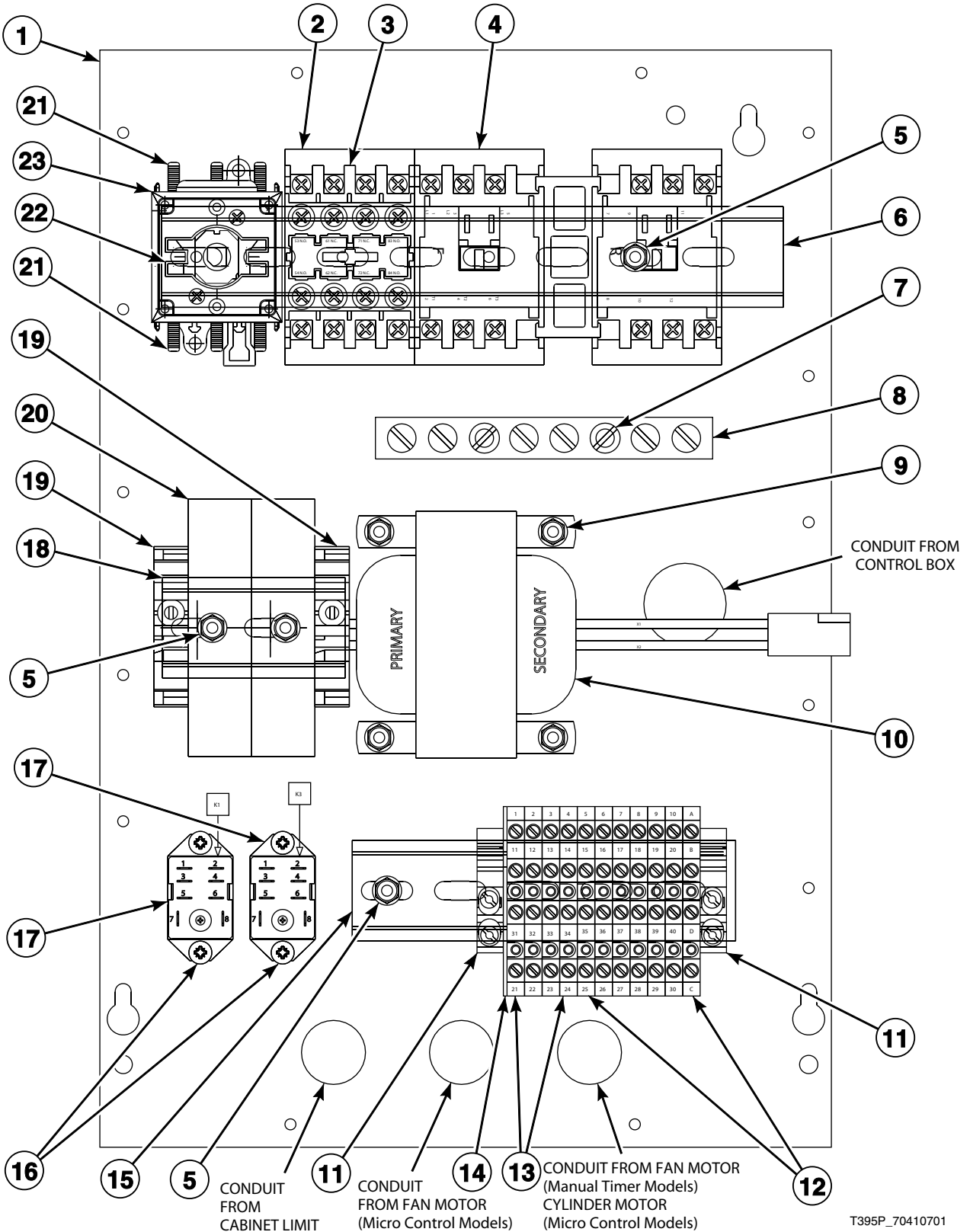
TMB2416P_70410701

Contactor Box Assembly - DT, JT and ST Models

| REF | PART NO. | DESCRIPTION | COMMENTS |
|-----------|----------|---------------------------------|--|
| | 23951 | Nut | |
| | M411279 | Contactora Box Cover | |
| 1 | M4849P3 | Reversing Contactora Kit | 120 Volt/60 Hertz; MM and MT control suffixes |
| | M410515P | Reversing Contactora | 240 Volt/50 Hertz; MT control suffix |
| | M413615P | Reversing Contactora | 50 or 60 Hertz; OM control suffix |
| 2 | M400044 | Screw | |
| 3 | 62588 | Screw | |
| 4 | M411683 | Reversing Timer | |
| 5 | M413100P | Transformer | 60 Hertz; MM and MT control suffixes |
| | M401391P | Transformer | 50 Hertz; MT control suffix; Located in temperature control area |
| | M414228P | Transformer | 240 Volt/60 Hertz; OM control suffix |
| | M414229P | Transformer | 380-480 Volt/50 or 60 Hertz; OM control suffix |
| 6 | M405363 | Terminal Block | 3 pole; MM and MT control suffixes |
| | M405364 | Terminal Block | 2 pole; OM control suffix |
| 7 | N/A | Transformer Harness Assembly | 60 Hertz; MT control suffix |
| 8 | N/A | Contactora Box Harness Assembly | MM and MT control suffixes |
| 9 | M413168 | Bypass Harness Assembly | Steam models; MM and OM control suffixes |
| 10 | N/A | Din Rail | |
| 11 | N/A | Terminal Strip | |
| 12 | 51778 | Screw | |
| 13 | M410529 | Contactora | 60 Hertz; 4 pole; MM and MT control suffixes |
| | M410457P | Contactora | 50 Hertz; MT control suffix |
| | M413614P | Fan Contactora | 50 or 60 Hertz; OM control suffix |
| 14 | 33562 | Screw | |

N/A = Part no longer available

Contactor Box - 120 Pound DC, JC and SC Models



Contactor Box - 120 Pound DC, JC and SC Models

| REF | PART NO. | DESCRIPTION | COMMENTS |
|-----------|-----------|-------------------------|--|
| | M411683 | Reversing Timer | |
| | D502592 | Fuse | Located on box side; 3.15 Amp; MT control suffix |
| | M413889 | Fuse | Located on box side; 4 Amp; MM control suffix |
| | D502591P | Fuse Holder Kit | Located on box side |
| | D502811 | Fuse Carrier | Located on box side |
| | 23951 | Nut | MM control suffix |
| | M412996 | Fuse | MT control suffix |
| | 44310001 | Fuse | MM control suffix |
| 1 | N/A | Junction Box Bottom | |
| 2 | 70323701P | Contactor | |
| 3 | N/A | Auxiliary Contact Block | Gas models with MT control suffix |
| 4 | M412405P | Reversing Contactor | |
| 5 | 51780 | Screw | |
| 6 | N/A | Din Rail | |
| 7 | M412688 | Nut | |
| 8 | M412656 | Ground Buss Assembly | |
| 9 | 33562 | Screw | MT control suffix |
| | M400044 | Screw | MM control suffix |
| 10 | M412412P | Transformer | MT control suffix |
| | M414229P | Transformer | MM control suffix |
| 11 | 70121001 | End Stop | |
| 12 | M412631 | Terminal Block | 2 circuit; 7 required |
| 13 | M412632 | Terminal Block | 1 circuit; 4 required |
| 14 | M412633 | End Barrier | |
| 15 | N/A | Din Rail | 5 inch |
| 16 | D501086 | Screw | |
| 17 | M412534 | Relay | 2 required; Gas models with MT control suffix |
| 18 | N/A | Din Rail | |
| 19 | M412615 | End Stop | |
| 20 | M412538 | Terminal Block | |
| 21 | M412366 | Finger Guard | |
| 22 | M412370 | Extension Handle | |
| 23 | M412187P | Mounting Switch Base | |

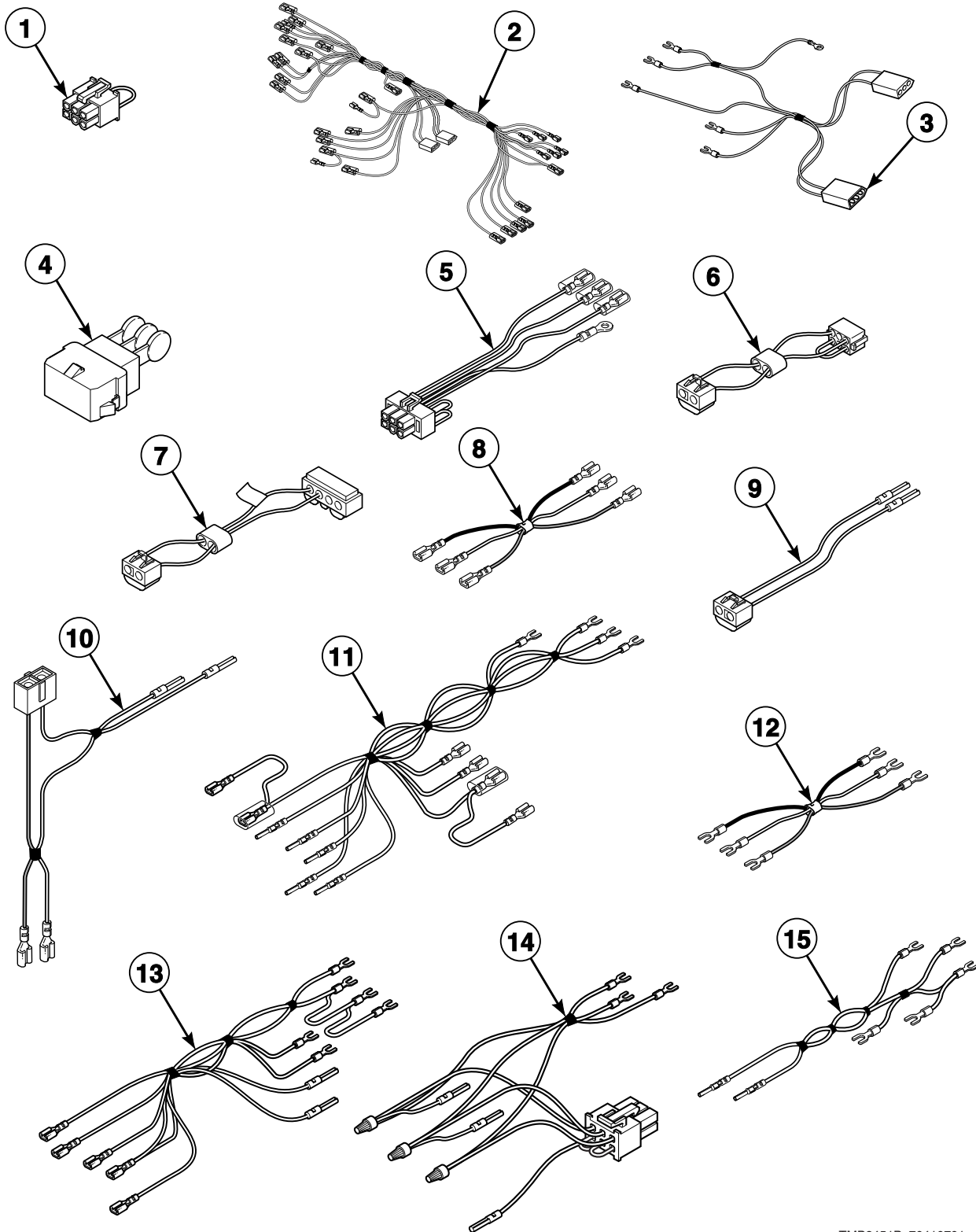
N/A = Part no longer available

Contactor Box Assembly - 170 Pound DC, JC and SC Models

| REF | PART NO. | DESCRIPTION | COMMENTS |
|-----------|-----------|----------------------|----------------------------|
| | M413889 | Fuse | 4 Amp; Located on box side |
| | D502591P | Fuse Holder Kit | Located on box side |
| | D502811 | Fuse Carrier | Located on box side |
| | 23951 | Nut | |
| | 44310001 | Fuse | .5 Amp |
| 1 | N/A | Junction Box Bottom | |
| 2 | 70323701P | Contactor | |
| 3 | M412405P | Reversing Contactor | |
| 4 | 51780 | Screw | |
| 5 | N/A | Din Rail | |
| 6 | M412688 | Nut | |
| 7 | M412656 | Ground Buss Assembly | |
| 8 | M414229P | Transformer | |
| 9 | M400044 | Screw | |
| 10 | 70121001 | End Stop | |
| 11 | M412631 | Terminal Block | 2 circuit |
| 12 | M412632 | Terminal Block | 1 circuit |
| 13 | M412633 | End Barrier | |
| 14 | N/A | Din Rail | |
| 15 | D501086 | Screw | |
| 16 | M412534 | Relay | |
| 17 | M412615 | End Stop | |
| 18 | N/A | Din Rail | |
| 19 | M412538 | Terminal Block | |
| 20 | M412187P | Mounting Switch Base | |
| 21 | M412370 | Extension Handle | |
| 22 | M412366 | Finger Guard | |

N/A = Part no longer available

Contactor Box Harnesses



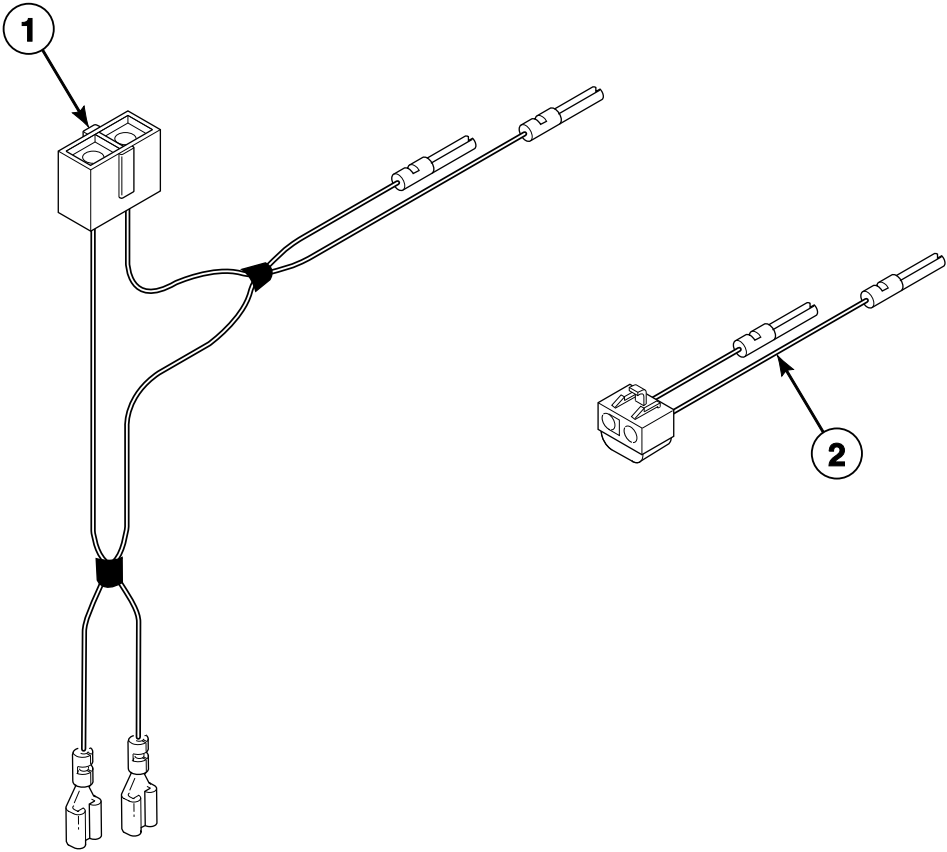
TMB2451P_70410701

Contactor Box Harnesses

| REF | PART NO. | DESCRIPTION | COMMENTS |
|-----|----------|--------------------------------------|---|
| 1 | M413168 | Bypass Harness Assembly | DT, JT and ST models with OM control suffix |
| 2 | N/A | Contactor Box Harness Assembly | DT, JT and ST models with MM and MT control suffixes |
| 3 | N/A | Transformer Harness Assembly | DT, JT and ST models with MT control suffix |
| 4 | M413863 | Network Capacitor Assembly | DT, JT and ST models with OM control suffix |
| 5 | M413878 | Network Capacitor Harness Assembly | DT, JT and ST models with OM control suffix |
| 6 | M413506 | Jumper Harness Assembly | 208 Volt; DT, JT and ST models with OM control suffix |
| | M413507 | Jumper Configuration Assembly | 240 Volt; DT, JT and ST models with OM control suffix |
| 7 | M413508 | Jumper Harness Assembly | 380-415 Volt; OM control suffix |
| | M413510 | Jumper Configuration Assembly | 460-480 Volt; DT, JT and ST models with OM control suffix |
| 8 | M413624 | Reversing Contactor Jumper Assembly | DT, JT and ST models; 3 Phase; Upper |
| 9 | M414028 | Transformer Harness Assembly | DC, JC and SC models with MM control suffix; Primary |
| 10 | M412641 | Transformer Harness Assembly | DC, JC and SC models with MT control suffix; Secondary |
| 11 | N/A | Reversing Timer Harness Assembly | DC, JC and SC models with MT control suffix |
| 12 | M412928 | Reversing Jumper Harness Assembly | DC, JC and SC models with MT and OM control suffixes; Upper |
| | M412929 | Reversing Jumper Harness Assembly | DC, JC and SC models with MT and OM control suffixes; Lower |
| 13 | M414224 | Relay Harness Assembly | DC, JC and SC models with OM control suffix |
| 14 | M414077 | Jumper Wire | DC, JC and SC models with OM control suffix |
| 15 | M414034 | Reversing Contactor Harness Assembly | DC, JC and SC models with OM control suffix |

N/A = Part no longer available

Transformer Harness - DC, JC and SC Models



TMB2417P_70410701

Transformer Harness - DC, JC and SC Models

| REF | PART NO. | DESCRIPTION | COMMENTS |
|-----|----------|------------------------------|-------------------|
| 1 | M412641 | Transformer Harness Assembly | MT control suffix |
| 2 | M414028 | Transformer Harness Assembly | OM control suffix |

Parts Index

A

| | |
|---------------------------------|----|
| Access Panel | |
| M411348LP | 13 |
| M412951 | 13 |
| Actuator Arm Assembly | |
| H96387501 | 49 |
| Airflow Switch Bracket | |
| 430370 | 39 |
| Airflow Switch Harness Assembly | |
| M413042P | 39 |
| Airflow Switch Vane | |
| 70502301 | 39 |

B

| | |
|----------------------------|------------|
| Ball Bearing | |
| H87672374 | 23 |
| M401375P | 37 |
| M414367 | 23 |
| 44104801 | 31 |
| Ball Bearing Insert | |
| H8768212H | 31 |
| Ball Valve | |
| M413016 | 43 |
| M413017 | 45 |
| Base Bracket | |
| H96428693 | 27, 31, 33 |
| Bearing Flangette | |
| H96382080 | 49 |
| Bearing Insert | |
| H96382098 | 49 |
| Bearing Mounting | |
| H96428008 | 25 |
| Bearing Mounting Flangette | |
| H8768302H | 31 |
| Bearing Retainer | |
| M401370 | 37 |
| Belt | |
| H8753170H | 31 |
| H87532685 | 33 |
| H87533014 | 23 |
| Belt Adjustment Tube | |
| H96428487 | 23 |
| Belt Guard | |
| M411222 | 19 |
| M411223P | 19 |
| M414491P | 19 |
| M414492P | 19 |
| Belt Guard Cover | |
| M414284 | 21 |
| Belt Set | |
| H87533816P | 23 |
| Blower Cover | |
| H96358007 | 29, 31 |
| Blower Motor Base Kit | |
| H608P3 | 29, 31 |
| Blower Shaft | |
| M412000 | 31 |

| | |
|-------------------------|------------|
| Bolt | |
| H88301411 | 41 |
| H8830143H | 41 |
| Burner | |
| M412025P | 43, 45 |
| Burner Orifice | |
| M400997 | 47 |
| M401017 | 47 |
| M401021 | 47 |
| M401022 | 47 |
| M402487 | 47 |
| M402995 | 47 |
| M406361 | 47 |
| M411371 | 47 |
| M411372 | 47 |
| M411373 | 47 |
| M411374 | 47 |
| M411375 | 47 |
| M411376 | 47 |
| Bushing | |
| H87529111P | 27, 29, 31 |
| H87529129P | 27 |
| H8752922HP | 35, 37 |
| H8752985HP | 23 |
| M412917P | 31, 35, 37 |
| M412995P | 33 |
| M414459 | 49 |
| Bypass Harness Assembly | |
| M413168 | 49, 53, 59 |

C

| | |
|--------------------------------|--------------------|
| Cabinet Limit Harness Assembly | |
| M413083 | 29, 31, 33, 35, 37 |
| M413144 | 33, 35, 37 |
| M414261 | 31, 33, 35, 37 |
| Clip | |
| M400976 | 51 |
| M400984 | 21 |
| Coil Filter | |
| H96362264 | 49 |
| Conduit Clamp | |
| M411614 | 43 |
| Contact Block | |
| M412230 | 5 |
| Contacto | |
| M410457P | 53 |
| M410529 | 53 |
| 70323701P | 55, 57 |
| Contacto Box Cover | |
| M411279 | 53 |
| Control Kit | |
| 70228401P | 11 |
| Conversion Kit | |
| M4577P3 | 43 |
| Cotter Pin | |
| 02470 | 39 |
| Cylinder and Trunnion Assembly | |
| M409708 | 41 |
| 44054701 | 41 |
| 44054702 | 41 |
| 44054801 | 41 |

N/A items do not appear in index.

| | |
|---------------------------------|--------|
| 44054802 | 41 |
| Cylinder Assembly | |
| H96367545 | 41 |
| H96427513 | 41 |
| M409659 | 41 |
| M409788 | 41 |
| M409826 | 41 |
| Cylinder Motor Harness Assembly | |
| M413110 | 27, 41 |

D

| | |
|-------------------------------|--------|
| Damper | |
| H96387519 | 49 |
| Damper Assembly | |
| H96367685 | 49 |
| M409967 | 29, 31 |
| Damper Counterweight | |
| M413331 | 49 |
| Damper Motor | |
| M412905P | 49 |
| M413592P | 49 |
| Damper Motor Harness Assembly | |
| M413086 | 49 |
| Damper Rod | |
| M413401 | 51 |
| Damper Vane | |
| M413402 | 51 |
| Door Glass and Seal Kit | |
| M409899P | 17 |
| Door Handle | |
| M400133 | 17 |
| Door Latch | |
| M401223 | 15 |
| Door Safety Switch Kit | |
| M4842P3 | 15 |
| Door Seal Kit | |
| 70211904P | 17 |
| Door Switch | |
| H96422241 | 15 |
| Door Switch Harness Assembly | |
| M413054 | 15 |
| Drive Chain | |
| H96388186 | 49 |
| Drive Rivet | |
| M400713 | 9 |
| Drive Wheel | |
| H96388178 | 49 |

E

| | |
|----------------------|--------|
| Emergency Stop Panel | |
| M414245R | 11 |
| End Barrier | |
| M412633 | 55, 57 |
| End Stop | |
| M412615 | 55, 57 |
| 70121001 | 55, 57 |
| Extension Handle | |
| M412370 | 55, 57 |

F

| | |
|----------------------------|--------|
| Face Plate | |
| M413089W | 9 |
| Fan | |
| H96368469 | 35, 37 |
| Fan and Bushing Assembly | |
| M414546 | 29, 31 |
| Fan Bearing Conversion Kit | |
| M4680P3 | 35, 37 |
| Fan Contactor | |
| M413614P | 53 |
| Fan Motor | |
| 44046401P | 31 |
| 44313501P | 33 |
| Fan Motor Harness Assembly | |
| M413111 | 31 |
| Filter Channel | |
| H96388087 | 49 |
| 44045101 | 49 |
| Finger Guard | |
| M412366 | 55, 57 |
| Flange Bearing | |
| H8762501H | 35 |
| 44048301P | 25 |
| Flexible Coupler | |
| M412551 | 15 |
| Front Panel | |
| M411383WP | 15 |
| M412948WP | 15 |
| M412949 | 15 |
| M413075 | 15 |
| M413178W | 15 |
| M413274 | 15 |
| M413276 | 15 |
| M414257 | 15 |
| Fuse | |
| D502592 | 55 |
| M412996 | 55 |
| M413118 | 7 |
| M413889 | 55, 57 |
| 44310001 | 55, 57 |
| Fuse Carrier | |
| D502811 | 55, 57 |
| Fuse Holder Kit | |
| D502591P | 55, 57 |
| Fuse Receptacle | |
| 91024P | 7 |

G

| | |
|-------------------|--------|
| Gas Pipe | |
| M411265 | 43 |
| Gas Valve | |
| M412362P | 43, 45 |
| M413470P | 43, 45 |
| Gas Valve Bracket | |
| M411259 | 43, 45 |
| Gas Valve Kit | |
| M4883P3 | 43, 45 |
| M4951P3 | 43, 45 |
| M4952P3 | 43 |

N/A items do not appear in index.

| | |
|----------------------|--------|
| Ground Buss Assembly | |
| M412656 | 55, 57 |

H

| | |
|--------------------------------|--------|
| High Temperature Ignition Lead | |
| 44061602P | 43, 45 |
| 44061605P | 43, 45 |
| Hinge Pin | |
| M410029 | 15 |

I

| | |
|-------------------------------------|----|
| ICM Return Lead | |
| M411061 | 43 |
| Idler Housing | |
| M412612 | 37 |
| Idler Housing Assembly | |
| M412630 | 37 |
| Idler Shaft | |
| M414241 | 37 |
| Ignition Control | |
| M406789P | 7 |
| Ignition Control Harness Assembly | |
| M413534P | 7 |
| Ignition Control Kit | |
| M4957P3 | 7 |
| 44264801 | 7 |
| 44264901 | 7 |
| Instant Electronic Ignition Control | |
| M410904P | 7 |

J

| | |
|-------------------------------|----|
| Jackshaft Assembly | |
| H96357751 | 23 |
| Jumper Configuration Assembly | |
| M413507 | 59 |
| M413510 | 59 |
| Jumper Harness Assembly | |
| M413506 | 59 |
| M413508 | 59 |
| Jumper Wire | |
| M414077 | 59 |

K

| | |
|-----------------|------------|
| Key | |
| H8752006H | 27, 29, 31 |
| M400993 | 37 |
| M401327 | 37 |
| Knob | |
| M400773 | 5 |
| M410927 | 5 |

L

| | |
|------------------------|--------|
| Lever Arm Switch | |
| 44021701 | 39 |
| Limit Thermostat | |
| M411403 | 29, 51 |
| M411946 | 31, 51 |
| Lint Compartment Label | |
| 430527 | 15 |
| Lint Panel | |
| M411453*P | 13 |
| M411454P | 13 |
| M411455*P | 13 |
| M411456 | 13 |
| Lint Panel Clip | |
| 44017801 | 13 |
| Lint Screen | |
| 44063602 | 19 |
| 44063603P | 21 |
| 44077702P | 19 |
| 44077703P | 21 |
| Lint Screen Clip | |
| H96418413 | 19, 21 |
| Lint Screen Frame | |
| H96362025 | 21 |
| M409652 | 19 |
| Loading Door Assembly | |
| M410289WP | 17 |
| Loading Door Gasket | |
| H96409156P | 17 |
| Loading Spring | |
| M400401 | 37 |
| Lower Door Hinge | |
| M410031 | 17 |
| M410702P | 17 |
| L.P. Conversion Kit | |
| M4592P3 | 45 |

M

| | |
|-------------------------|------------|
| Manual Reset Thermostat | |
| M413989 | 45 |
| Master Link | |
| H96382072P | 49 |
| Micro Mounting Plate | |
| M413094 | 9 |
| Microprocessor Overlay | |
| M412961 | 9 |
| M413425 | 11 |
| M413426 | 11 |
| Motor | |
| 44046301P | 29 |
| 44046601P | 33 |
| 44052901P | 27 |
| 44053001P | 27 |
| Motor Adjustment Tube | |
| H96428628 | 31 |
| Motor Base | |
| M413171 | 27, 31, 33 |
| Motor Bracket | |
| H96388145 | 49 |

N/A items do not appear in index.

| | |
|----------------------|--------|
| Mounting Insulation | |
| H96418728 | 15, 39 |
| Mounting Switch Base | |
| M412187P | 55, 57 |

N

| | |
|------------------------------------|----------------------------|
| Nameplate | |
| M410355 | 13 |
| 44010401 | 13 |
| Nameplate Overlay | |
| M412963 | 13 |
| Network Capacitor Assembly | |
| M413863 | 59 |
| Network Capacitor Harness Assembly | |
| M413878 | 59 |
| Nipple | |
| H85101673 | 45 |
| Nut | |
| H88412093 | 27, 33 |
| H88412101 | 25, 33, 41 |
| H8841927H | 13 |
| M400979 | 15, 39 |
| M404993 | 23, 27 |
| M412334 | 41 |
| M412688 | 55, 57 |
| Q6163 | 17 |
| 20274 | 23, 25, 27, 33, 37 |
| 23951 | 13, 19, 21, 51, 53, 55, 57 |
| 29786 | 35, 37 |
| 51236 | 17 |
| 70054 | 9, 11, 17 |
| 70142 | 27, 29, 33 |
| N.G. Kit | |
| M4900P3 | 45 |

O

| | |
|----------------|----|
| Overlay | |
| 70128401 | 11 |
| 70128601 | 11 |
| 70130501 | 11 |
| 70130701 | 11 |

P

| | |
|--------------------------|--------|
| Panel Hinge Kit | |
| M410041P | 15 |
| M410042P | 15 |
| Pilot Light | |
| JST-163-2 | 5, 7 |
| Pipe Bracket | |
| M411498 | 43 |
| Pipe Nipple | |
| M411417 | 43, 45 |
| M413023 | 45 |
| Pipe Union | |
| M411419 | 43, 45 |
| Pushbutton Switch | |
| M413431 | 5, 11 |
| Push-to-Start Switch Kit | |
| 44106901P | 5 |

N/A items do not appear in index.

R

| | |
|--------------------------------------|----------------|
| Relay | |
| M400911P | 5 |
| M400912P | 5 |
| M412534 | 55, 57 |
| Relay Harness Assembly | |
| M414224 | 59 |
| Retaining Ring | |
| H88602263 | 23 |
| H88603477 | 23 |
| Reversing Contactor | |
| M410515P | 53 |
| M412405P | 55, 57 |
| M413615P | 53 |
| Reversing Contactor Harness Assembly | |
| M414034 | 59 |
| Reversing Contactor Jumper Assembly | |
| M413624 | 59 |
| Reversing Contactor Kit | |
| M4849P3 | 53 |
| Reversing Jumper Harness Assembly | |
| M412928 | 59 |
| M412929 | 59 |
| Reversing Timer | |
| M411683 | 53, 55 |
| Rocker Switch | |
| M413270 | 7, 9 |
| Rod End | |
| 44048501 | 23, 27, 31, 33 |
| Roll Pin | |
| H88970256 | 49 |
| Roller Catch | |
| H87020202 | 13, 19 |
| Rotary Signal | |
| D500823 | 7 |

S

| | |
|-----------------|--------------------------------|
| Screw | |
| D501086 | 55, 57 |
| H88001565 | 23, 27 |
| H8800901H | 29, 31, 35, 37 |
| H88012034 | 25 |
| H88110267 | 15 |
| H88129648 | 15, 17 |
| H88213996 | 25 |
| M400043 | 37 |
| M400044 | 13, 17, 19, 21, 51, 53, 55, 57 |
| M400056 | 27, 29, 33 |
| M400072 | 5, 7, 15 |
| M400661 | 17 |
| M400664 | 9, 11, 19 |
| M401938 | 39 |
| M409385 | 17, 37 |
| M411052 | 5 |
| M411165 | 25 |
| M412159 | 43 |
| M412531 | 15 |
| M413528 | 33 |
| M414504 | 13 |
| 22688 | 23, 27, 33 |
| 33562 | 53, 55 |
| 430497 | 21, 29, 39, 43, 45, 51 |

| | |
|------------------------------|------------|
| 430757 | 13 |
| 51778 | 29, 53 |
| 51780 | 5, 55, 57 |
| 51782 | 43 |
| 62588 | 53 |
| 70187202 | 37 |
| Sensor Cable Assembly | |
| M413552P | 19, 21 |
| Sensor Harness Assembly | |
| M413343 | 19 |
| Sensor Wire | |
| M414287 | 45 |
| Shaft Collar | |
| M414451 | 49 |
| Sheave | |
| H8752026H | 27 |
| H87520284 | 31 |
| H87520334 | 27, 31 |
| H87520466 | 27 |
| H8752060H | 33, 35, 37 |
| H8752065H | 33, 35, 37 |
| H8752251H | 23 |
| Spacer | |
| M401402 | 41 |
| M413252 | 9 |
| Spark Electrode | |
| 44253701P | 43, 45 |
| Spark Igniter | |
| M410905P | 43, 45 |
| Spring Pin | |
| H88900683 | 49 |
| Spud Holder | |
| M411254 | 43 |
| M411736 | 45 |
| Steam Coil | |
| H96382023P | 49 |
| M409833P | 49 |
| M409834P | 49 |
| Steam Coil Filter | |
| H96382106 | 49 |
| Steam Coil Housing Cover | |
| 44018501 | 49 |
| Steam Cover | |
| 44018401 | 49 |
| Steam Valve | |
| F8322902 | 49 |
| F8322903 | 49 |
| M413298P | 49 |
| Steam Valve Coil | |
| M412258 | 49 |
| M413299P | 49 |
| M413302 | 49 |
| 70205701P | 49 |
| Steam Valve Rebuild Kit | |
| M412259 | 49 |
| Step Pulley | |
| H96428024 | 23 |
| Stove Assembly | |
| M411097 | 43 |
| M412016P | 45 |
| Stove Gasket | |
| M411505 | 43, 45 |
| Stove Limit Harness Assembly | |
| M413041 | 45 |
| M413104P | 43 |

| | |
|-----------------------------|--------|
| Stove Limit Harness Bracket | |
| 431078 | 43, 45 |
| Stove Limit Thermostat | |
| M411404 | 43, 45 |
| 431177 | 45 |
| Stove Partition Gasket | |
| M411506 | 43, 45 |
| Street Elbow | |
| M411264 | 43 |
| Switch Plate | |
| M413236 | 9 |

T

| | |
|------------------------------|------------|
| Terminal Block | |
| M405363 | 7, 53 |
| M405364 | 53 |
| M412538 | 55, 57 |
| M412631 | 55, 57 |
| M412632 | 55, 57 |
| Thermistor | |
| M414704 | 19, 21 |
| Thermistor Assembly | |
| M413212P | 19 |
| Thermostat | |
| H8900530H | 29, 31, 51 |
| M411333P | 7 |
| M413088 | 31 |
| M413988 | 43, 45 |
| Thermostat Cover | |
| M414477 | 43, 45 |
| Thermostat Panel | |
| M411572 | 7 |
| M411574 | 7 |
| Timer | |
| M412079P | 5 |
| Timer Harness Assembly | |
| M413055 | 5 |
| M413641 | 5 |
| Timer Kit | |
| M410900P | 5 |
| M410901P | 5 |
| M410902P | 5 |
| M410903P | 5 |
| Timer Panel | |
| M411575 | 5 |
| Top Access Panel Gusset | |
| M412979W | 13 |
| M412980W | 13, 21 |
| Transformer | |
| M401391P | 7, 53 |
| M412412P | 55 |
| M413100P | 53 |
| M414228P | 53 |
| M414229P | 53, 55, 57 |
| Transformer Harness Assembly | |
| M412641 | 59, 61 |
| M414028 | 59, 61 |
| Trunnion Assembly | |
| 44055501 | 41 |
| 44240801 | 41 |

N/A items do not appear in index.

U

| | |
|------------------|----|
| Upper Door Hinge | |
| M410030 | 17 |
| M410701P | 17 |

V

| | |
|-----------------------|----|
| Valve Coil | |
| F8514801 | 49 |
| Valve Kit | |
| F8521701 | 49 |
| Valve Rebuild Kit | |
| F8379502 | 49 |
| Valve Replacement Kit | |
| M4904P3 | 43 |

W

| | |
|----------------|----------------|
| Warning Label | |
| M410892 | 15 |
| Washer | |
| M400013 | 27, 29, 33 |
| M400014 | 23, 27, 33, 37 |
| M400015 | 25, 33 |
| M400080 | 27, 33, 37 |
| M400081 | 23, 25 |
| M400671 | 15 |
| 56552 | 29, 31, 35, 37 |
| 70261401 | 25, 33 |
